

**school
nova™**

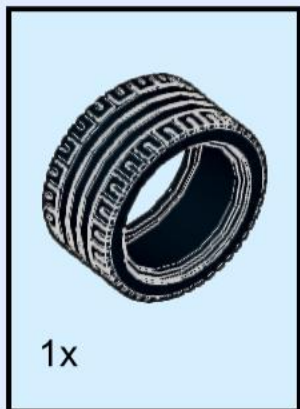


**FLL Robot Club EV3 Robot
Building Instructions
(for use if your robot breaks)**

Author: Marc Nichitiu

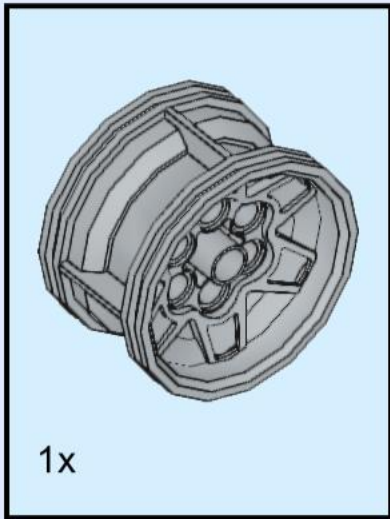


1



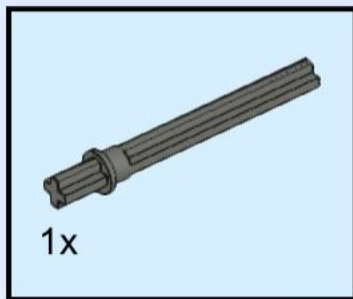


2



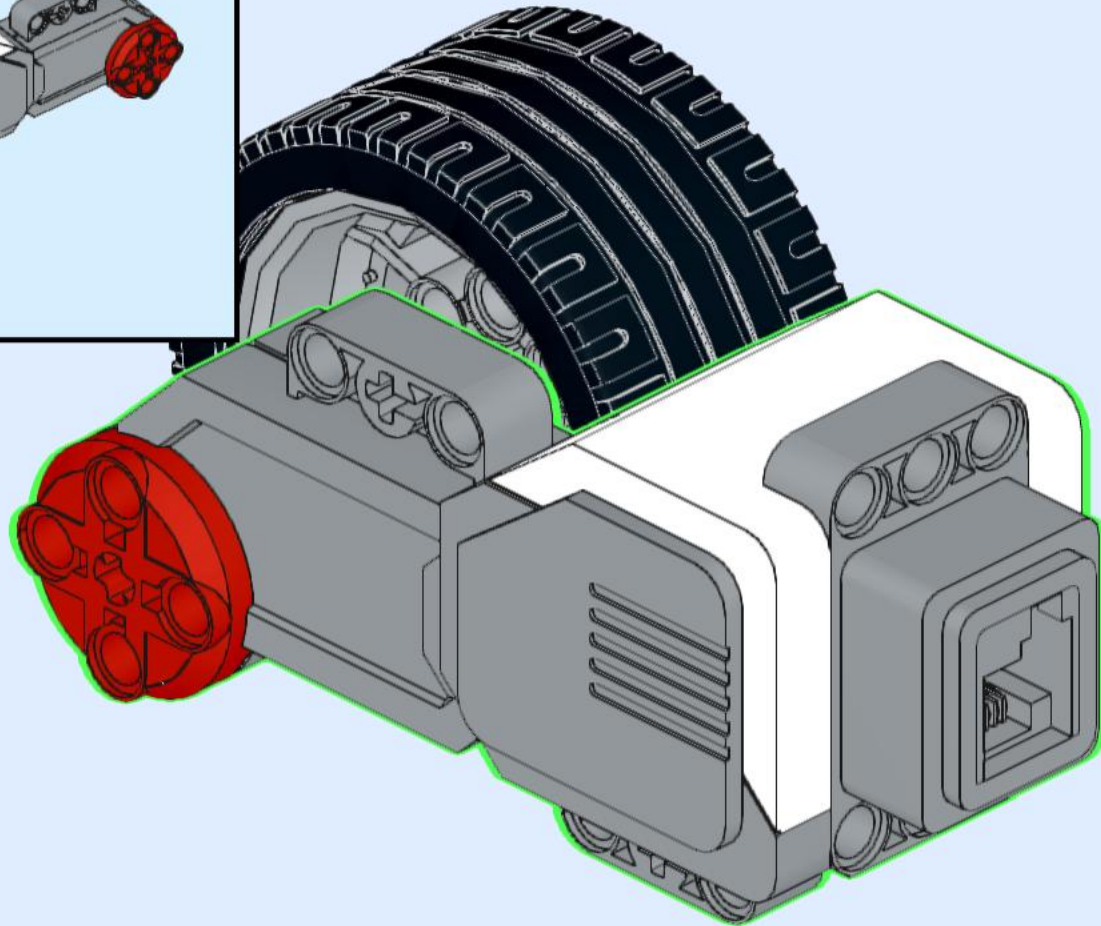
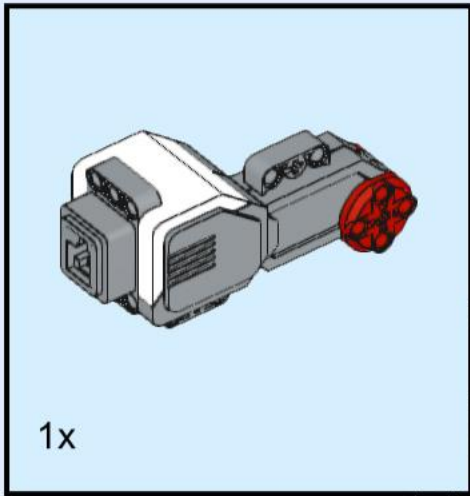


3



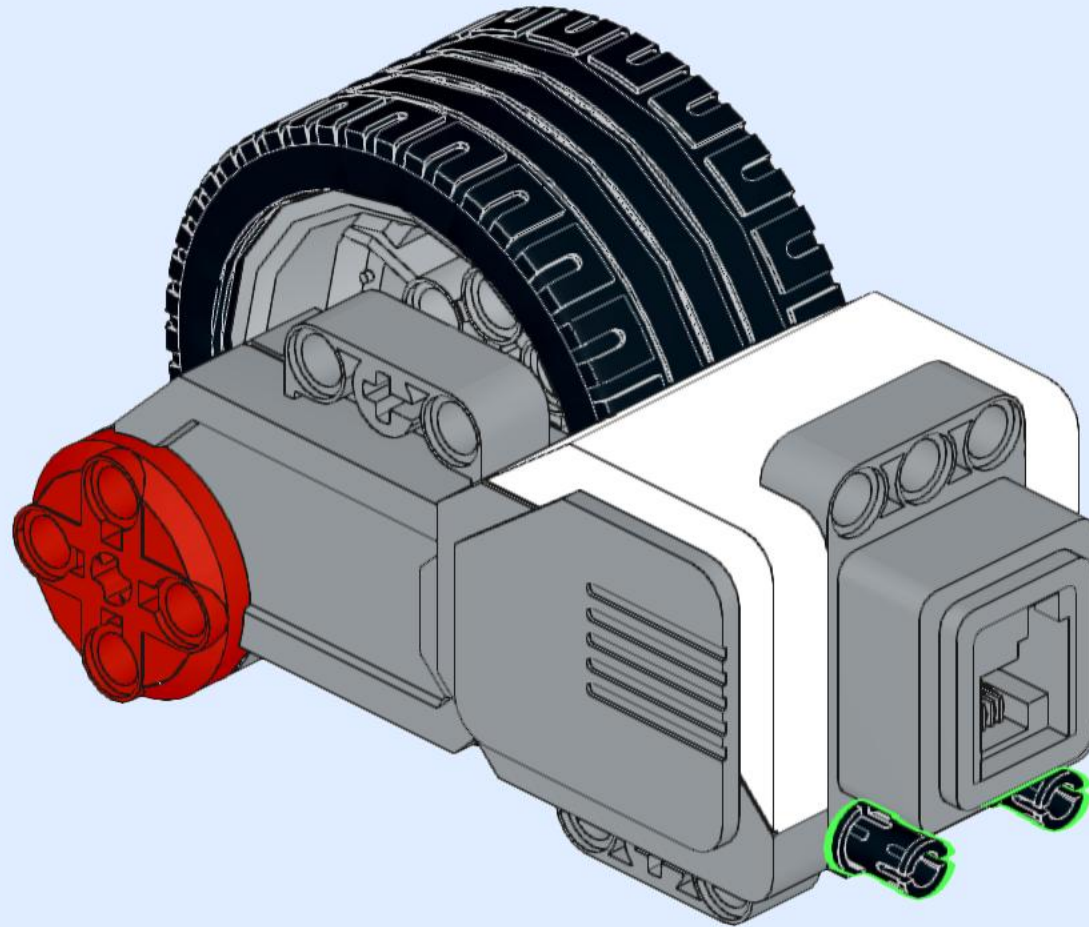


4



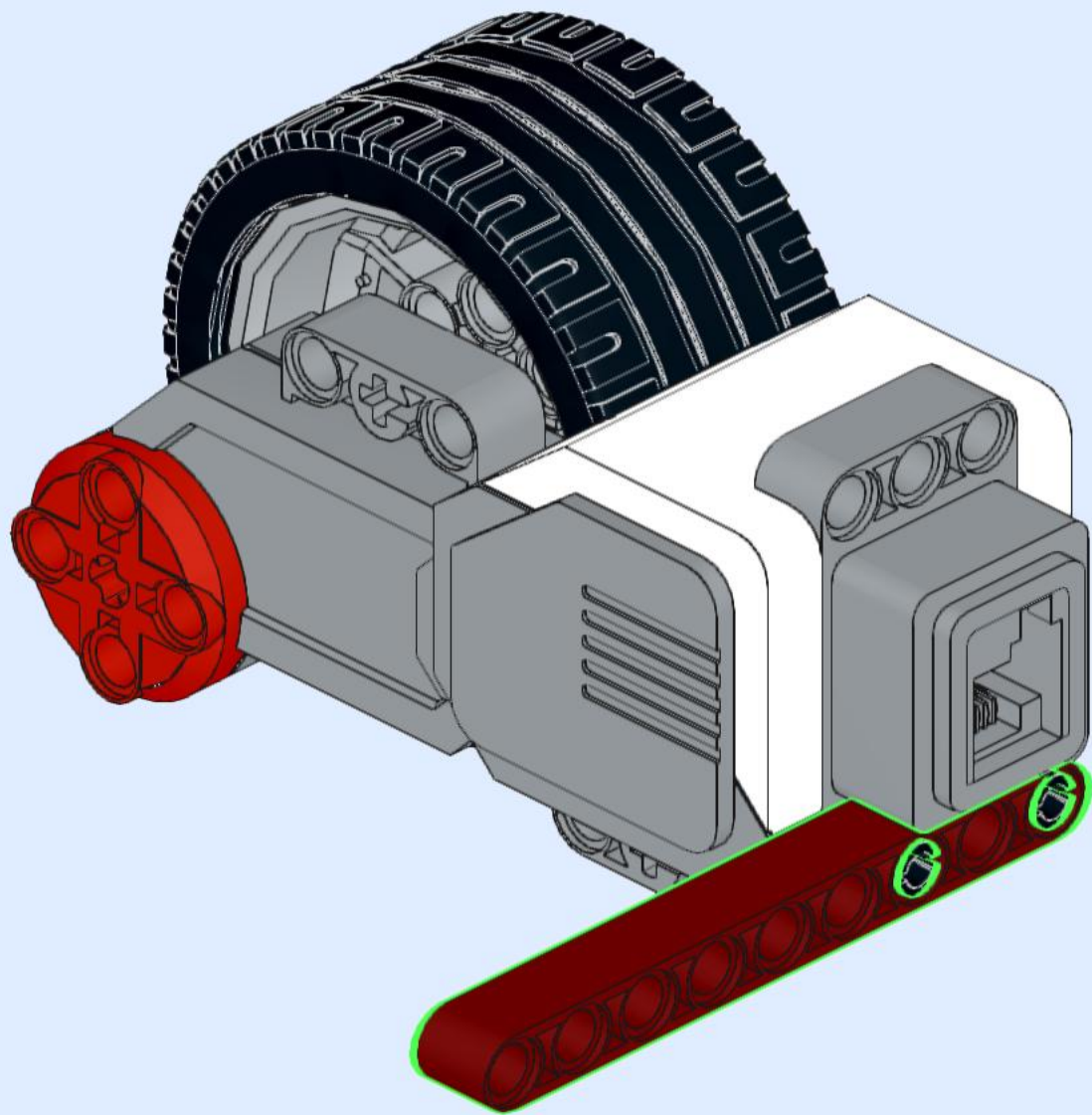
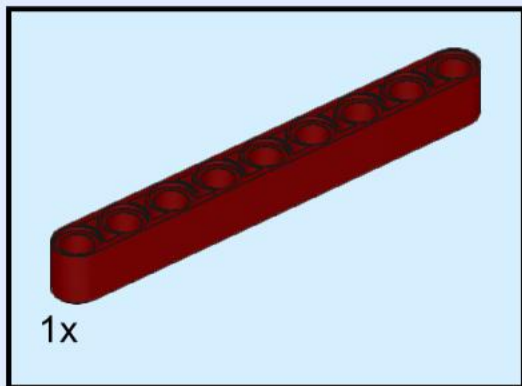


5



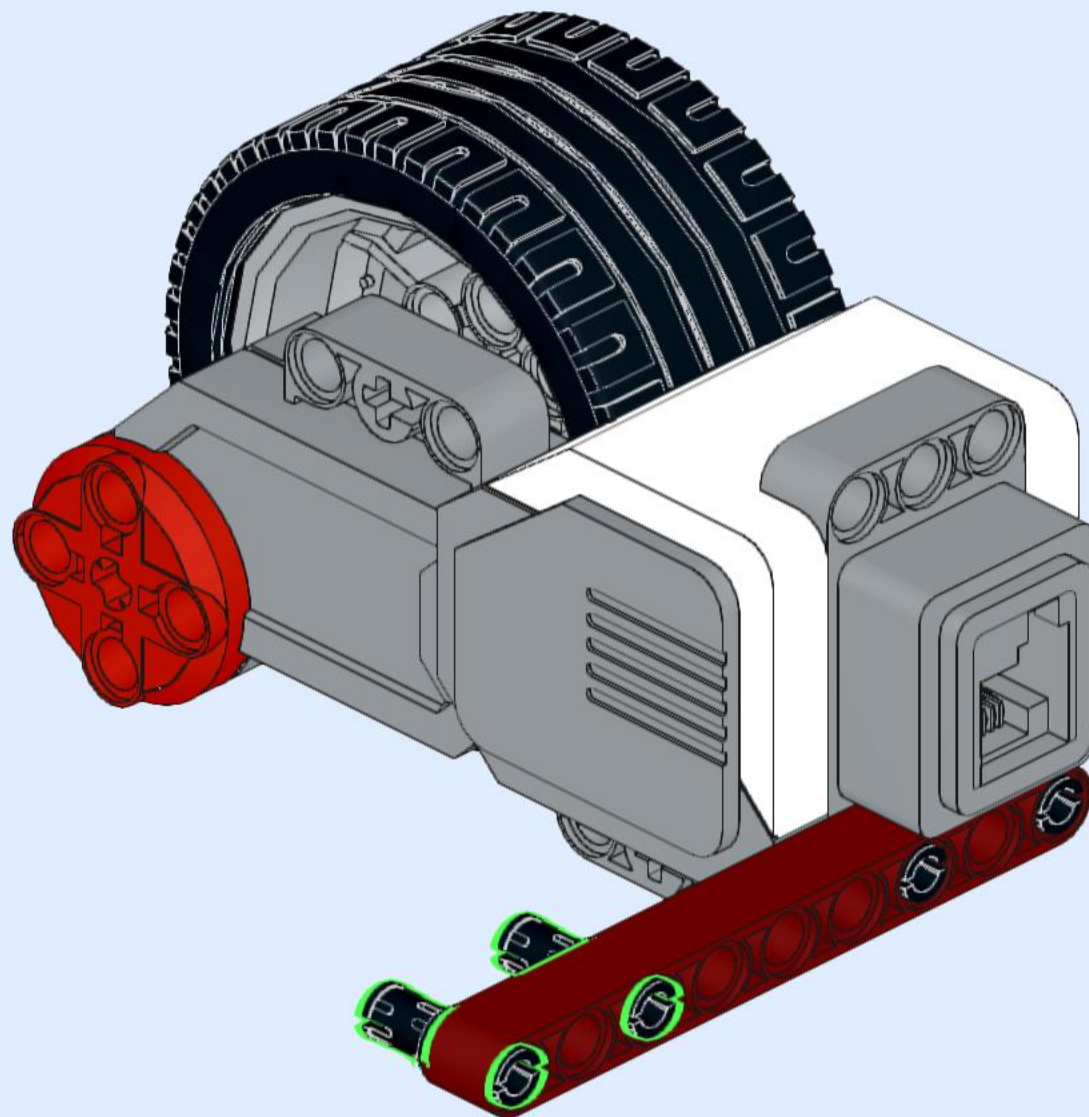


6



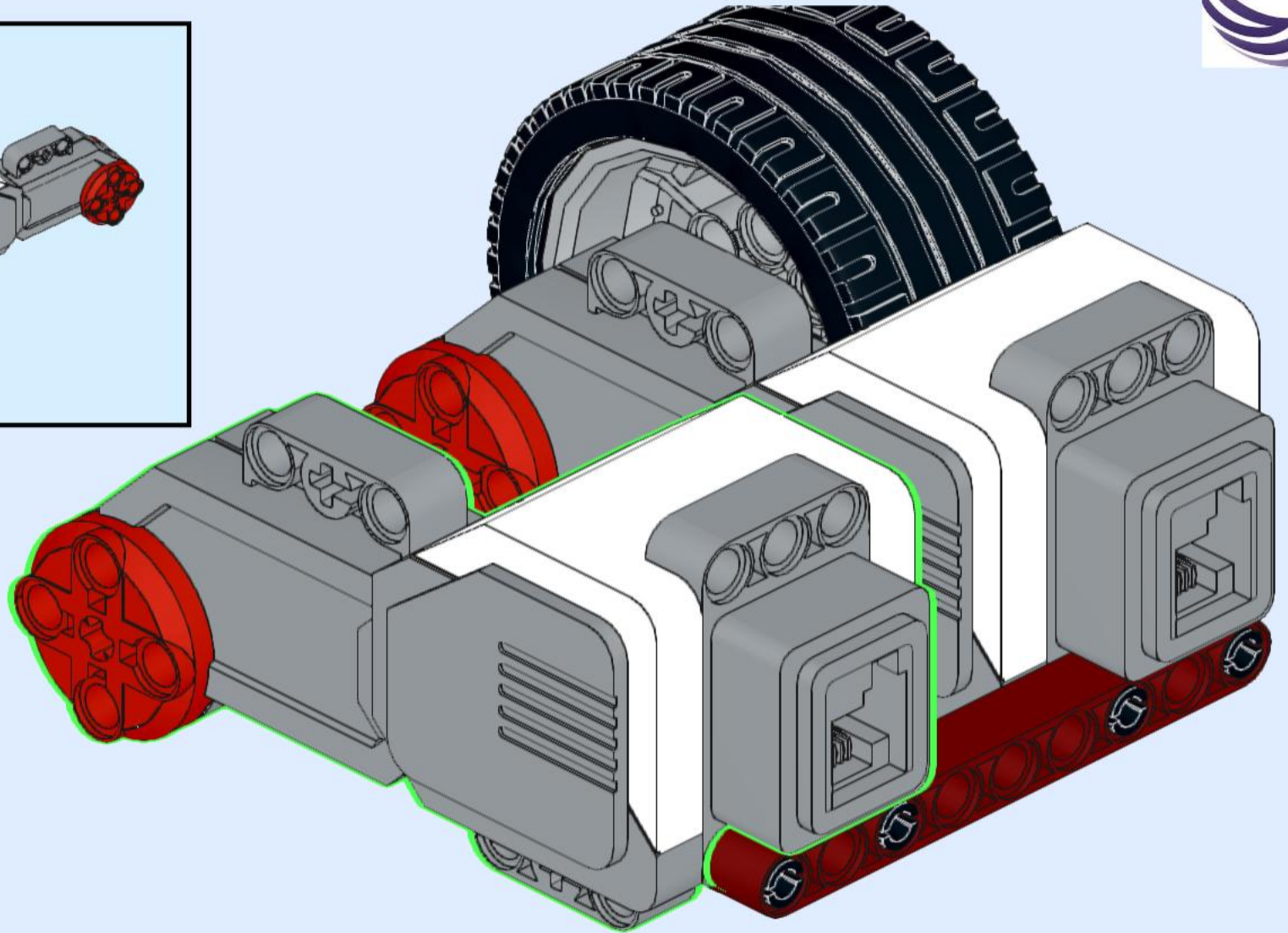
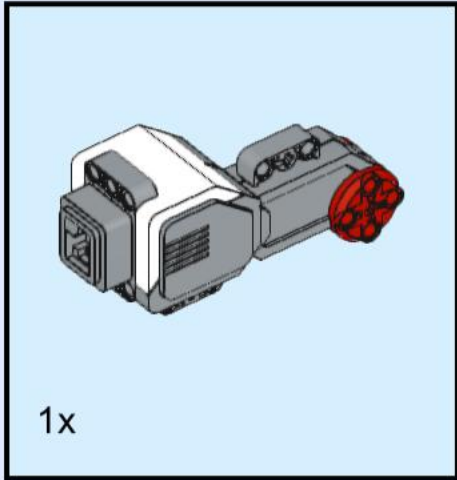


7



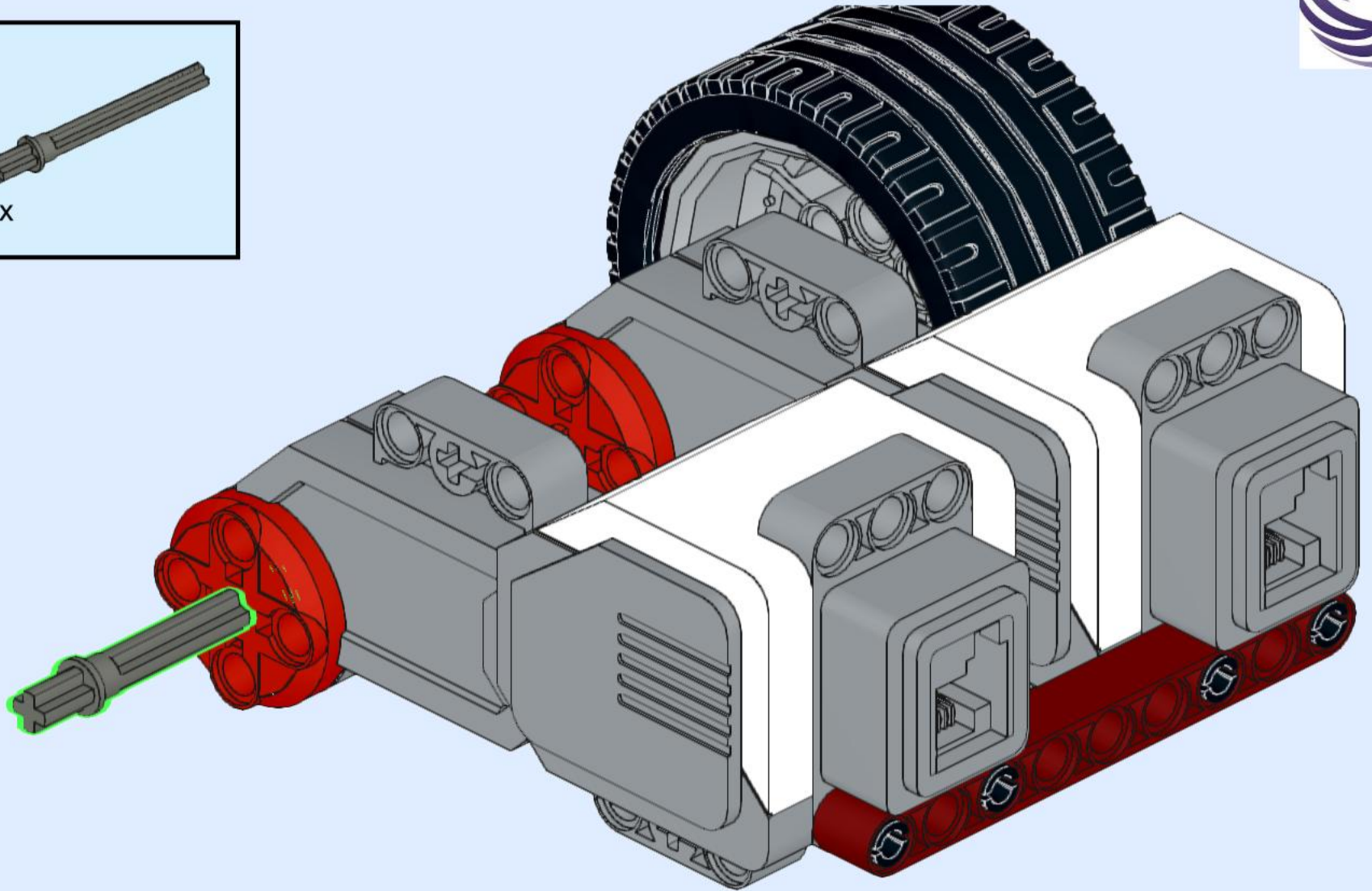
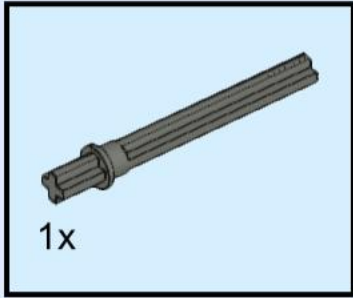


8



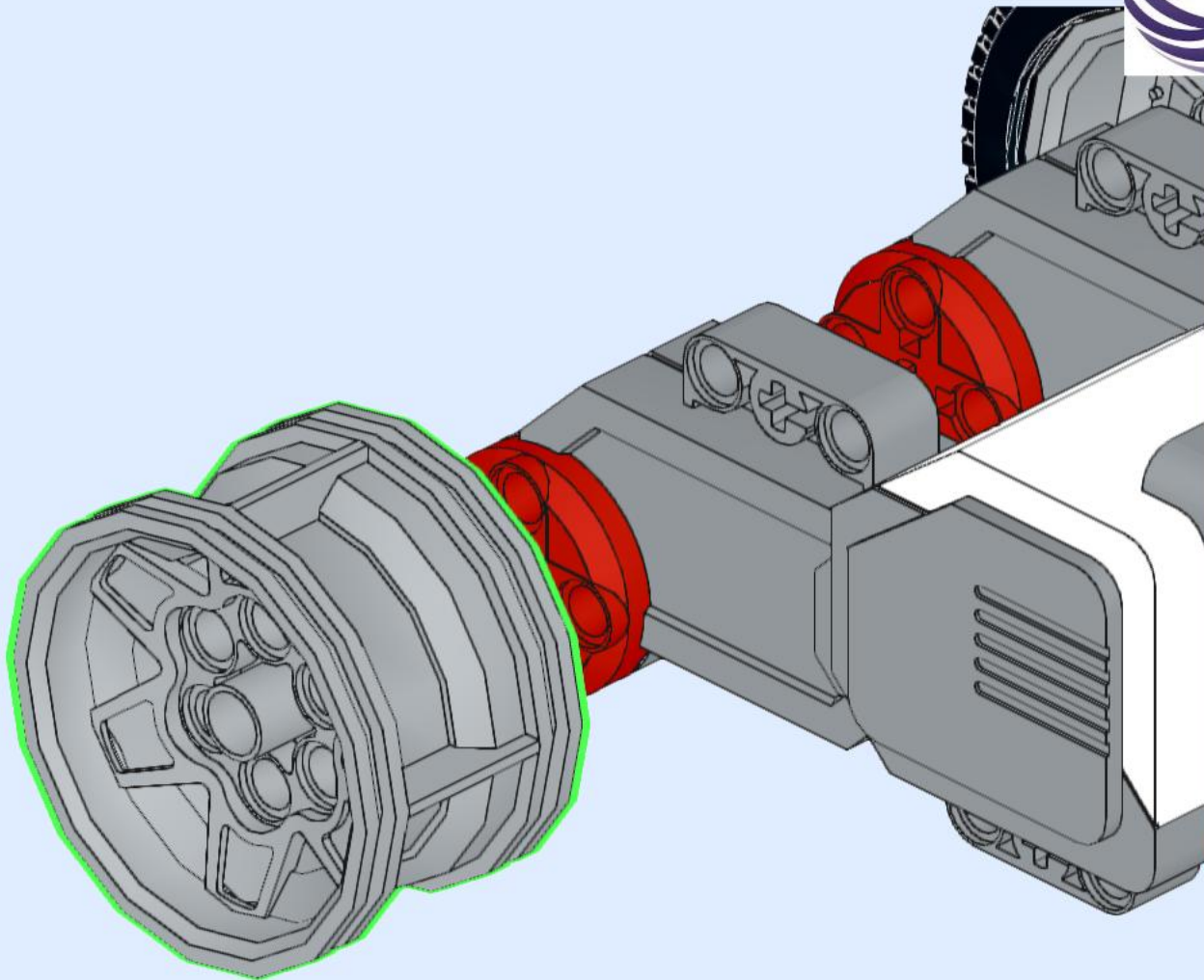
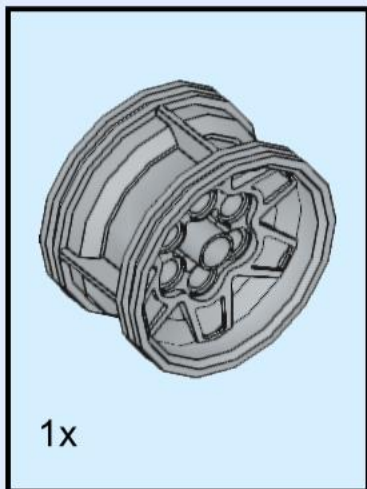


9



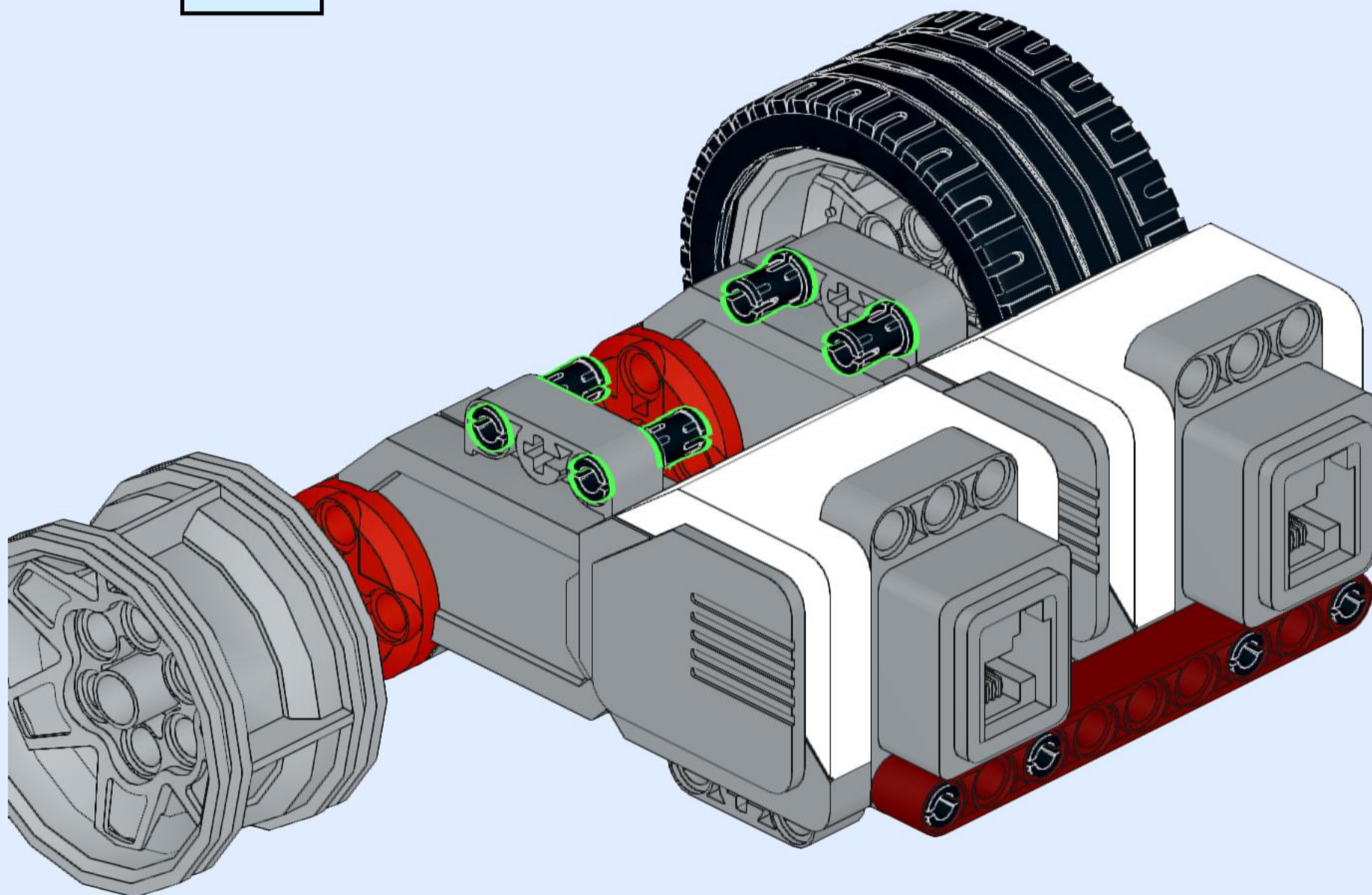


10



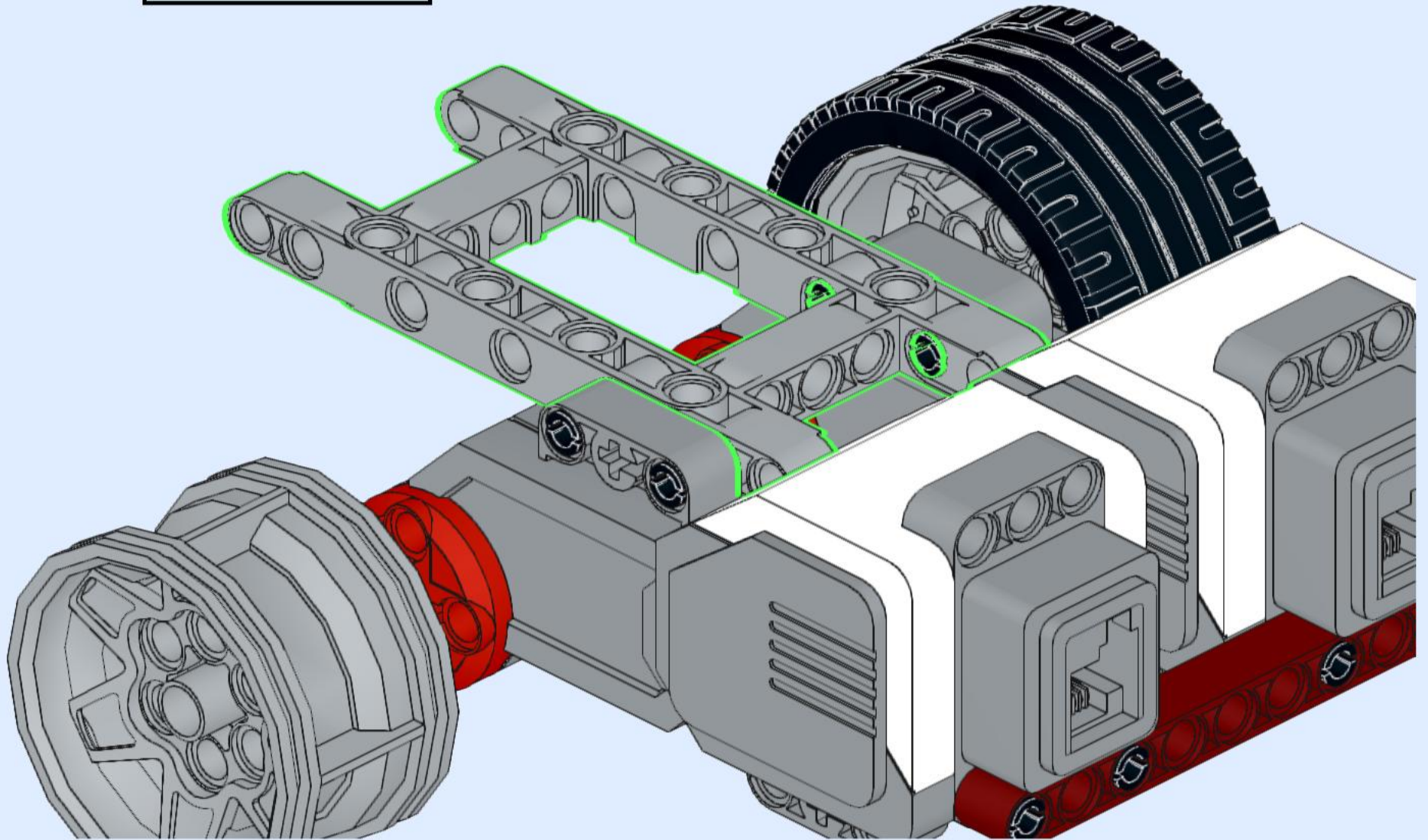
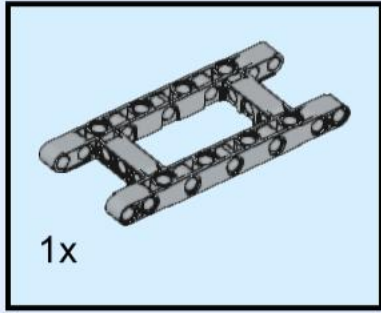


11



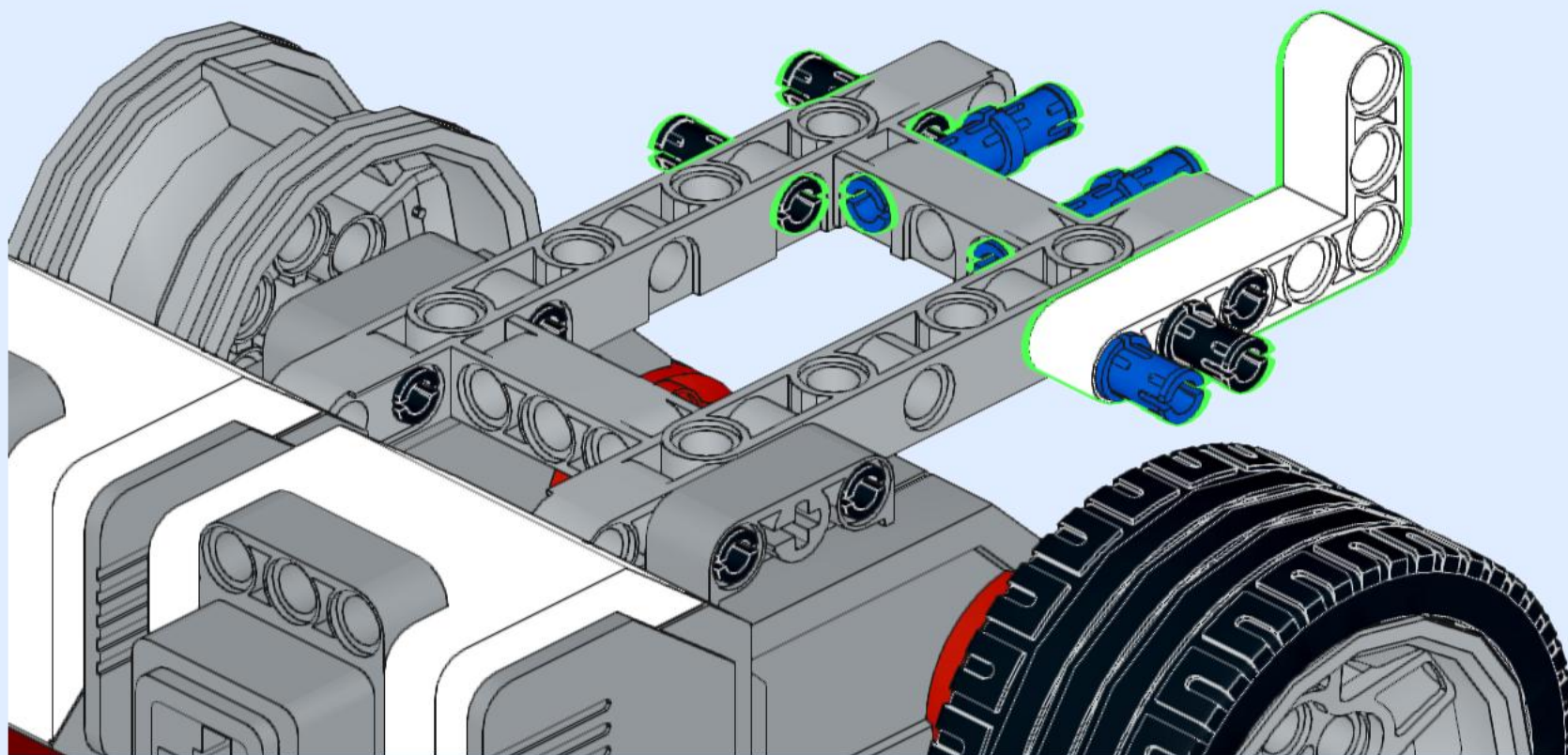
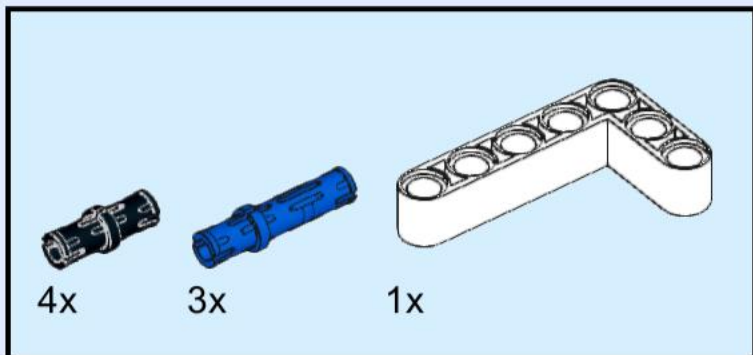


12



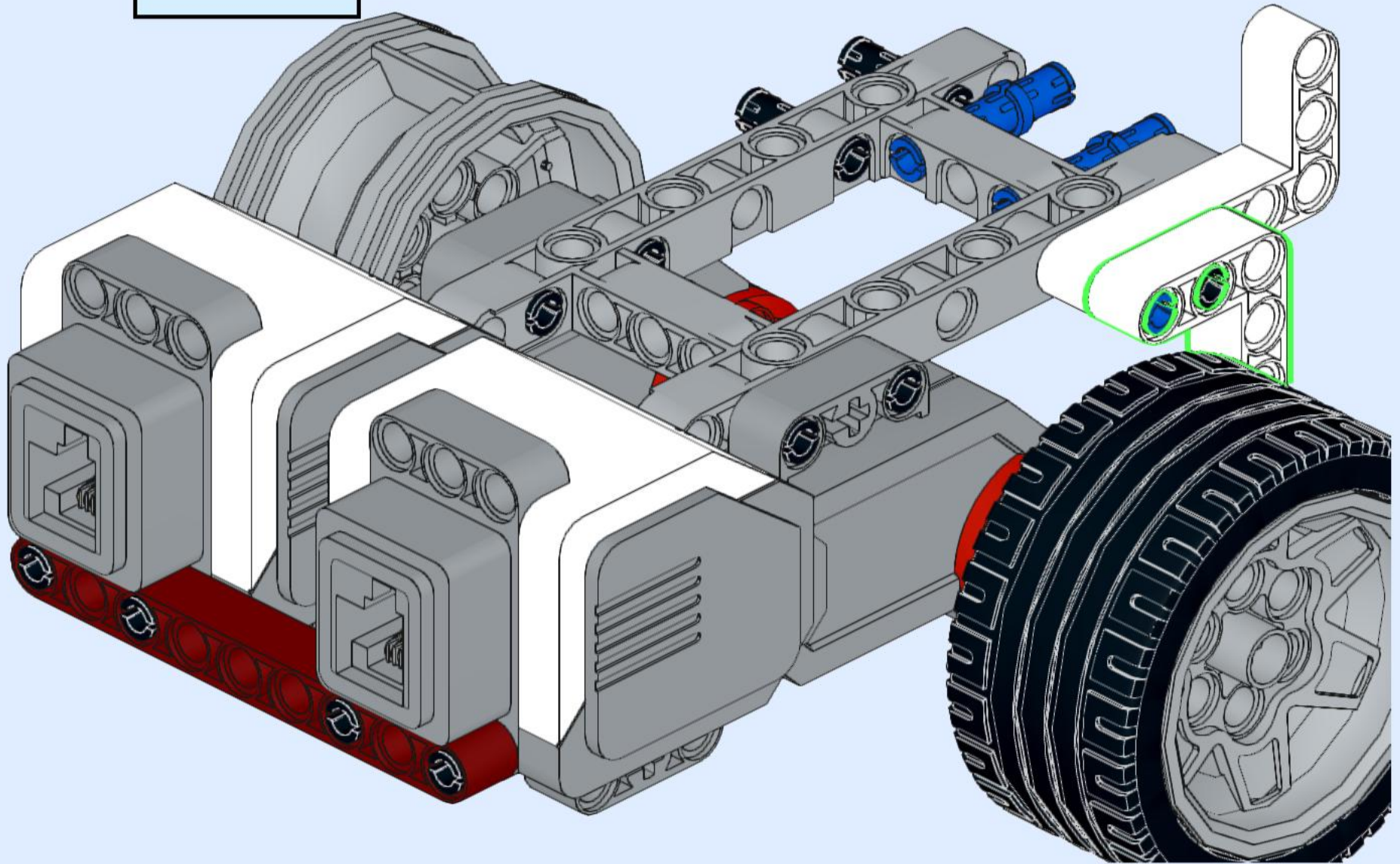
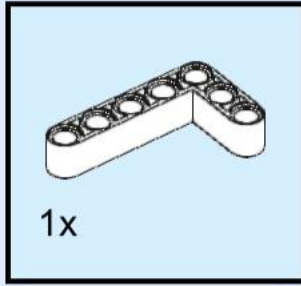


13



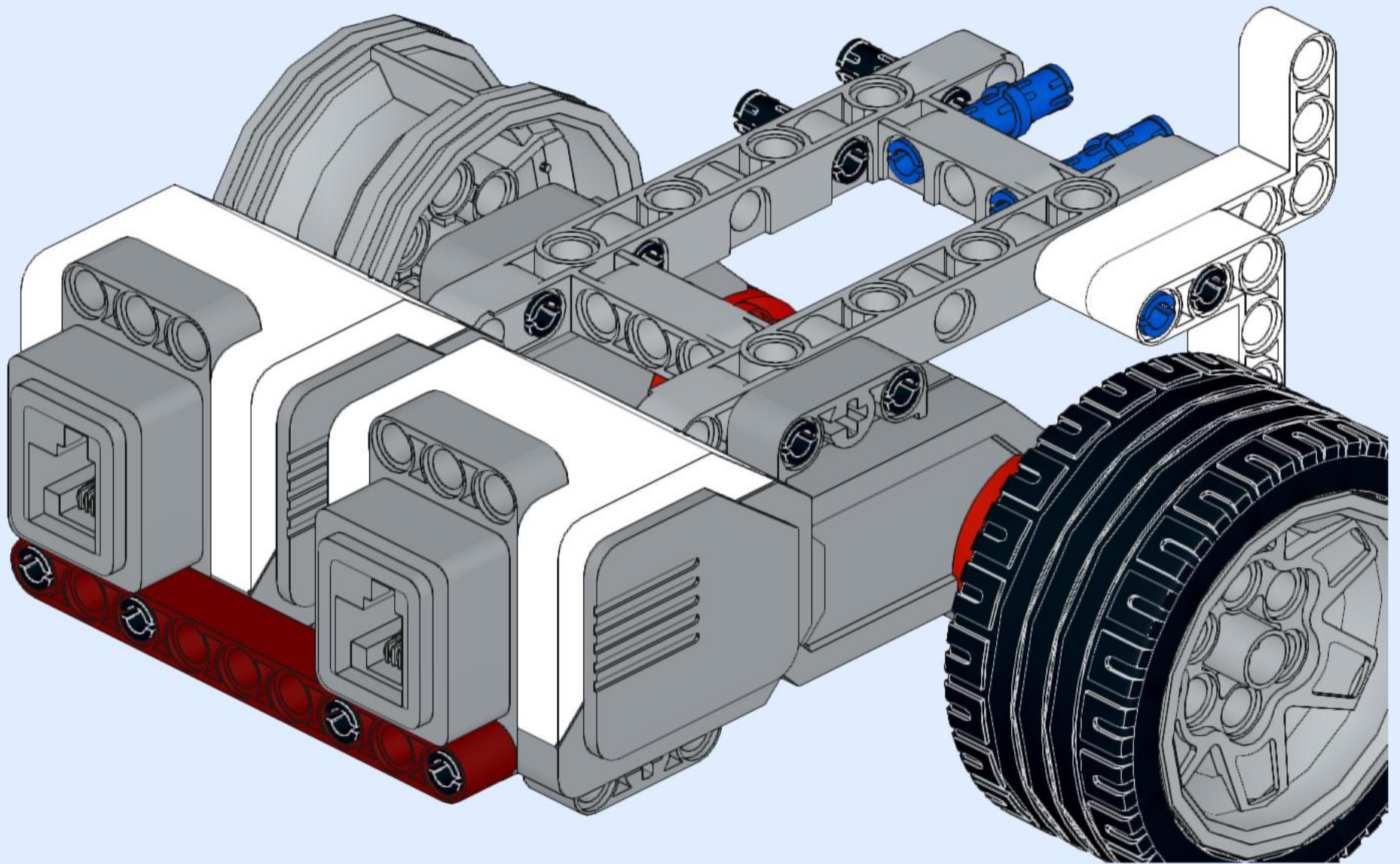
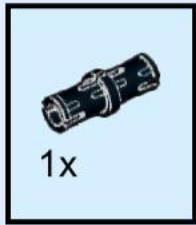


14

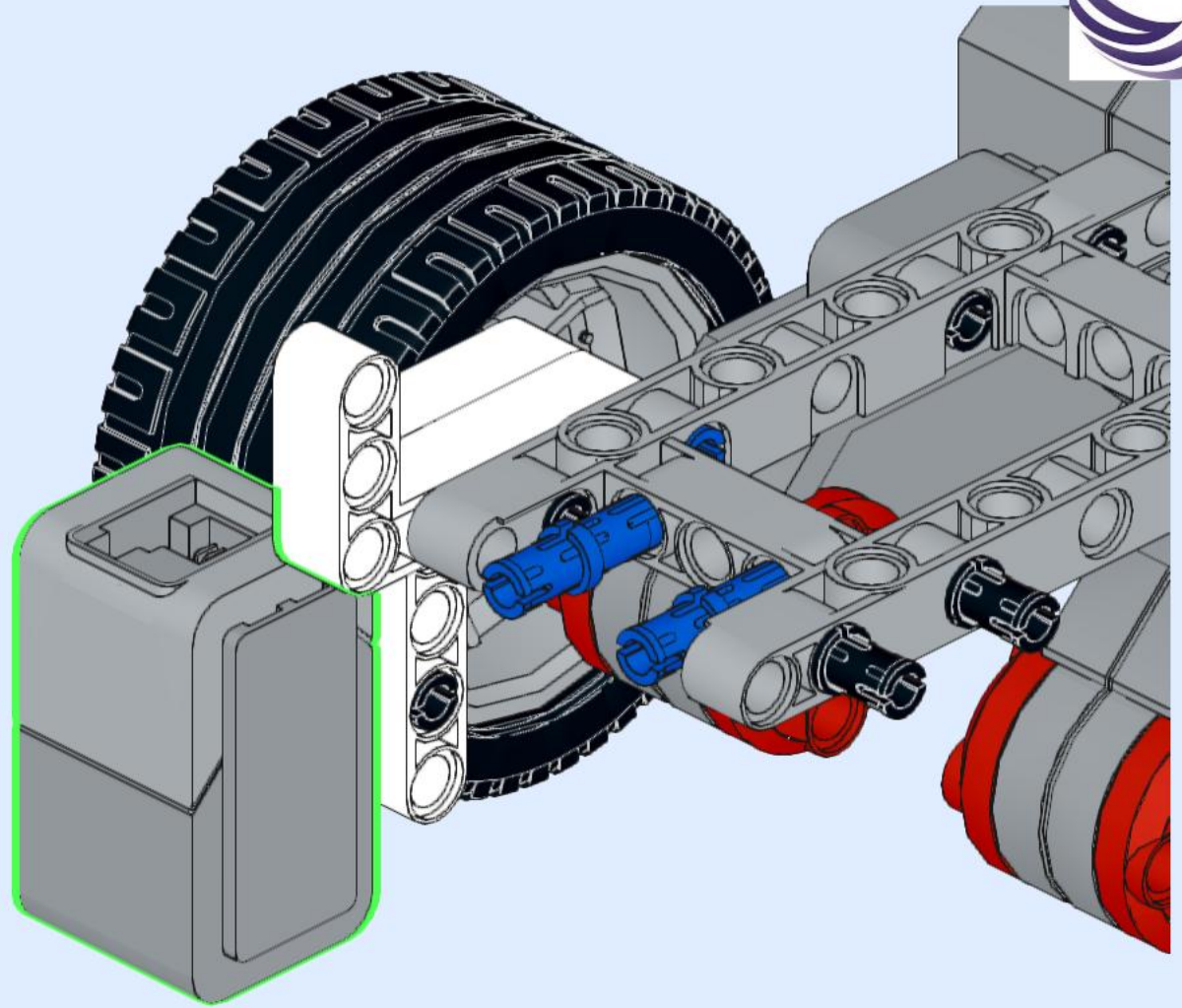
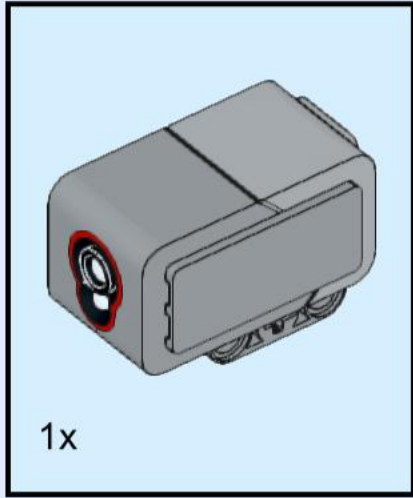




15

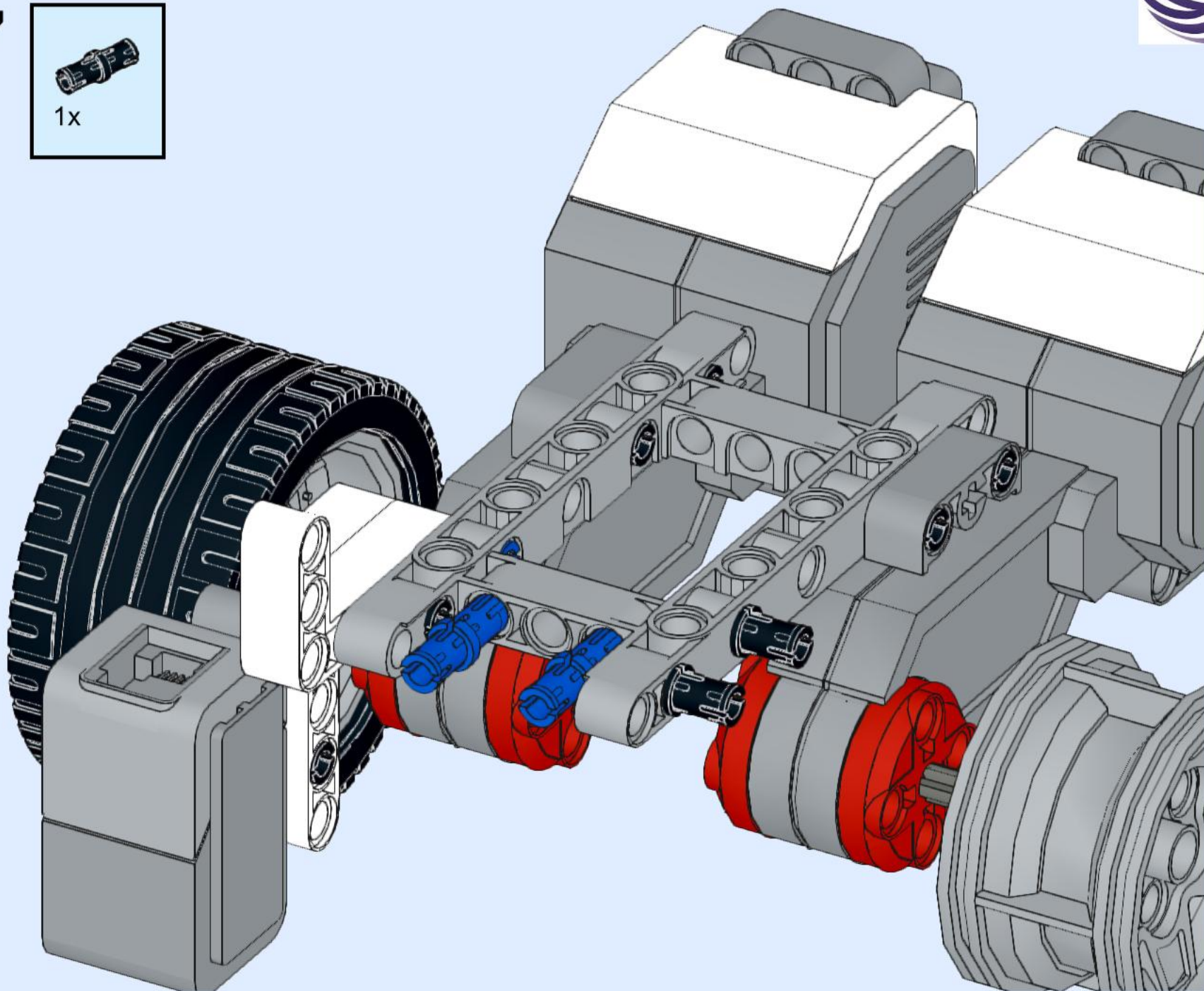


16



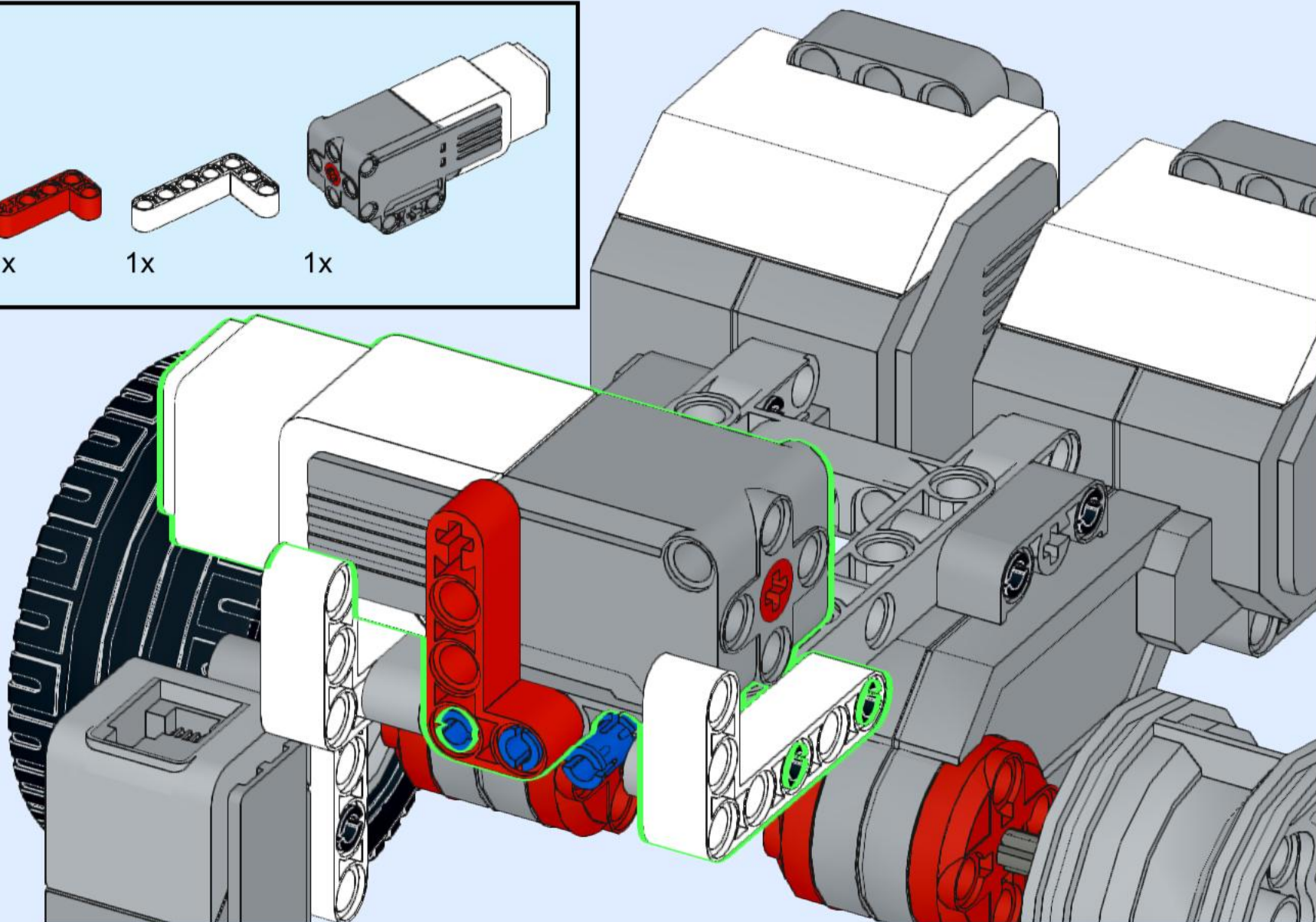
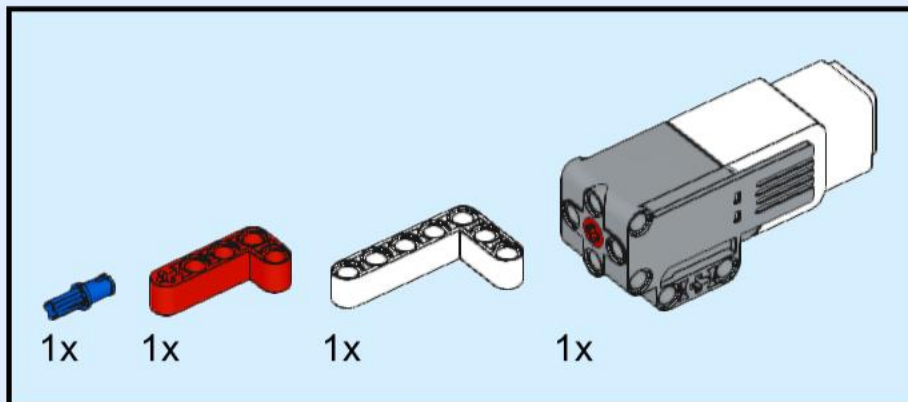


17



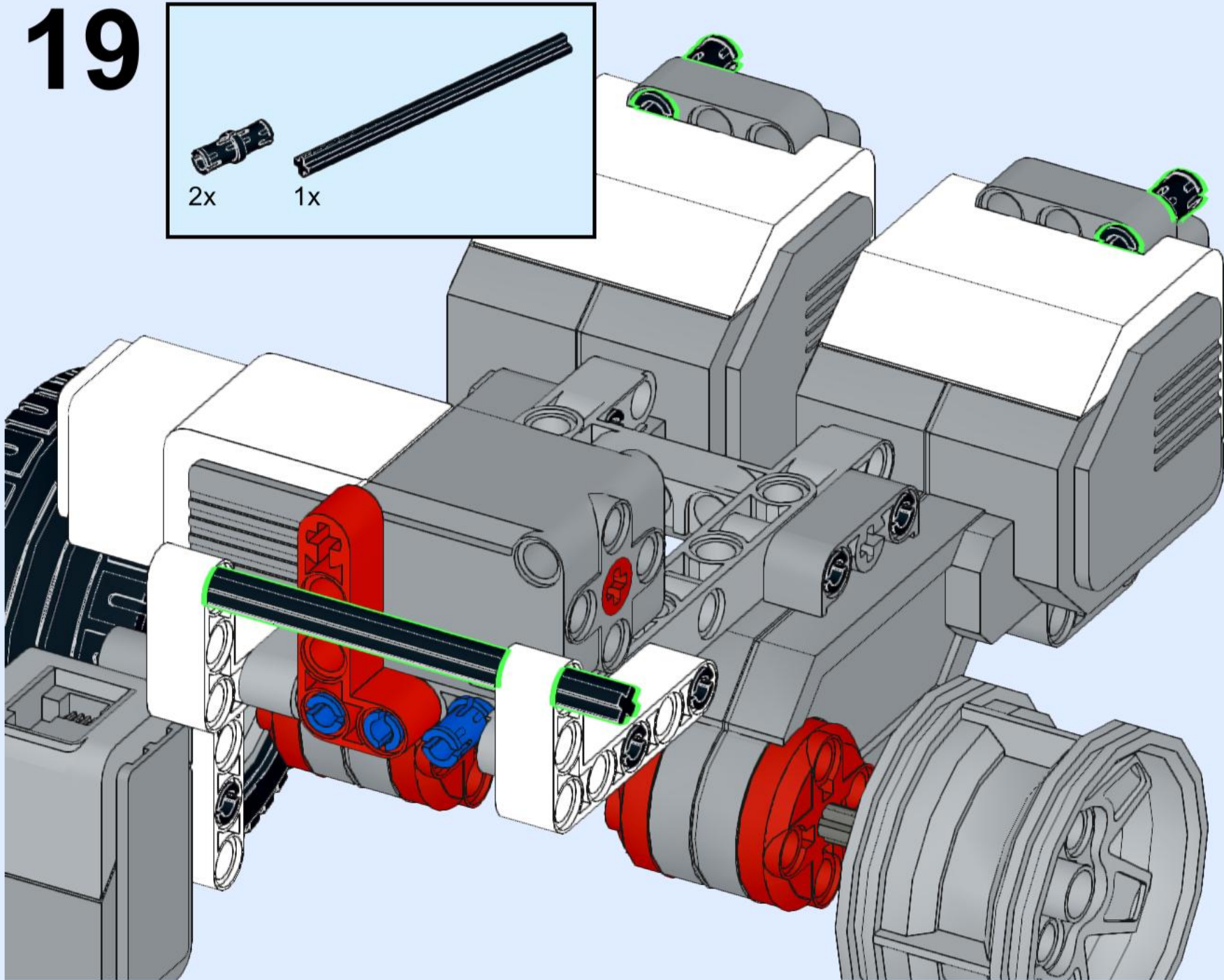
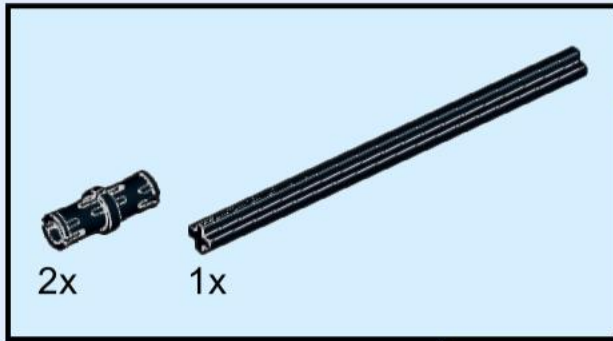


18

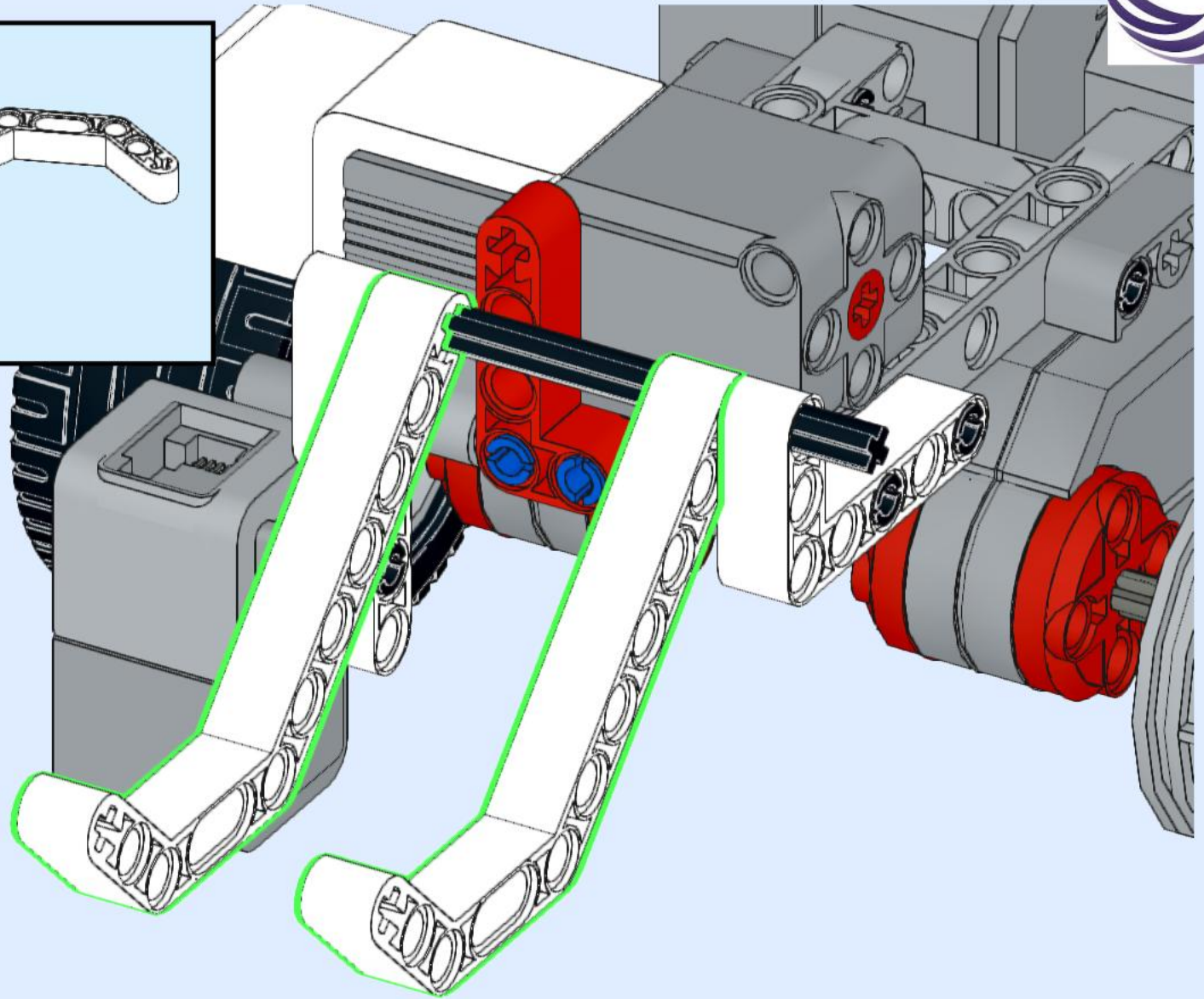
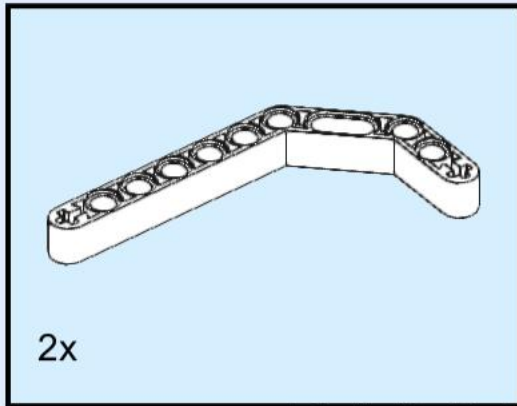




19

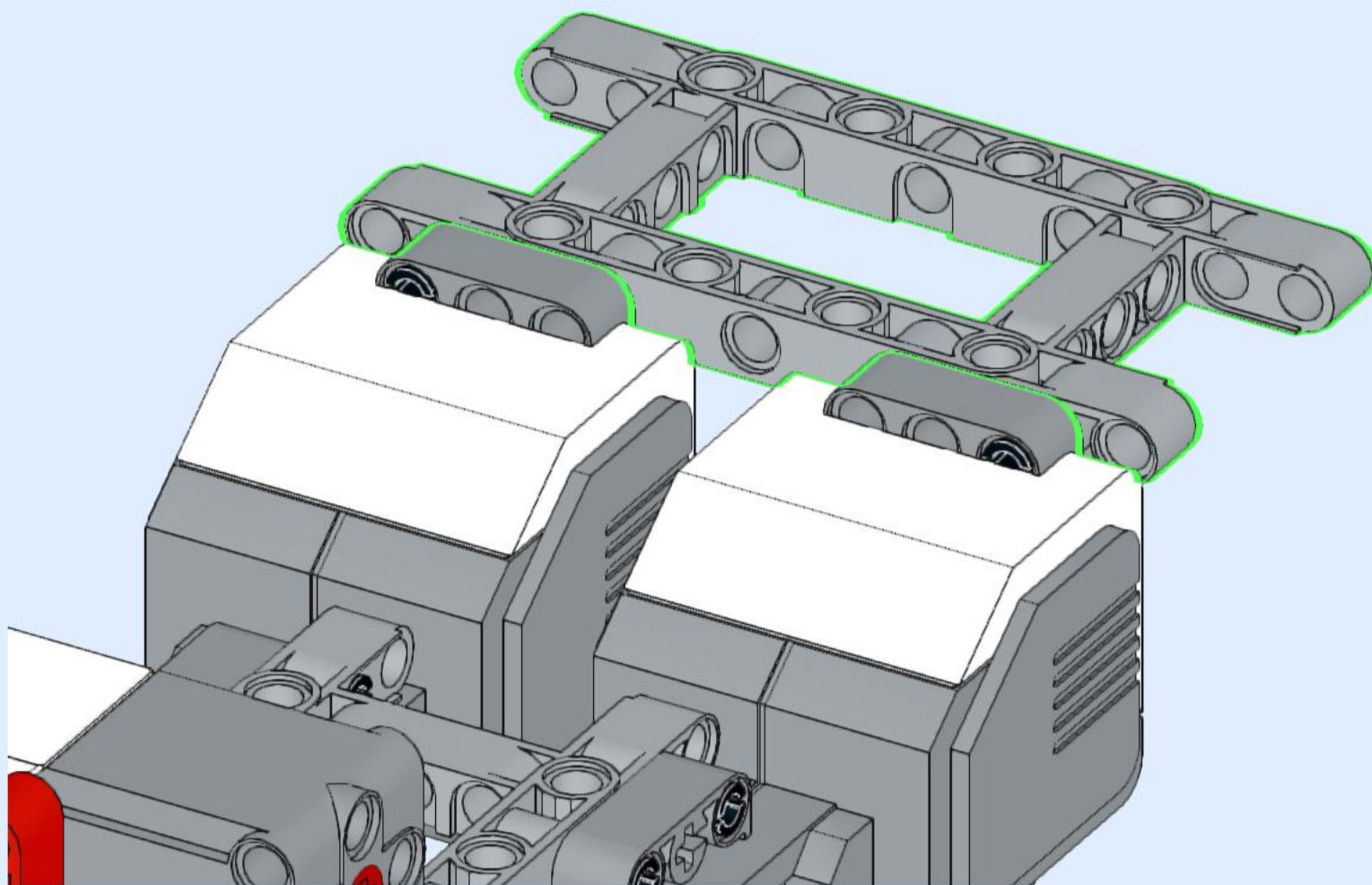
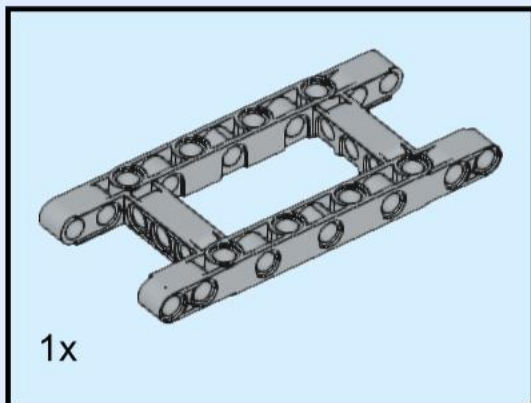


20

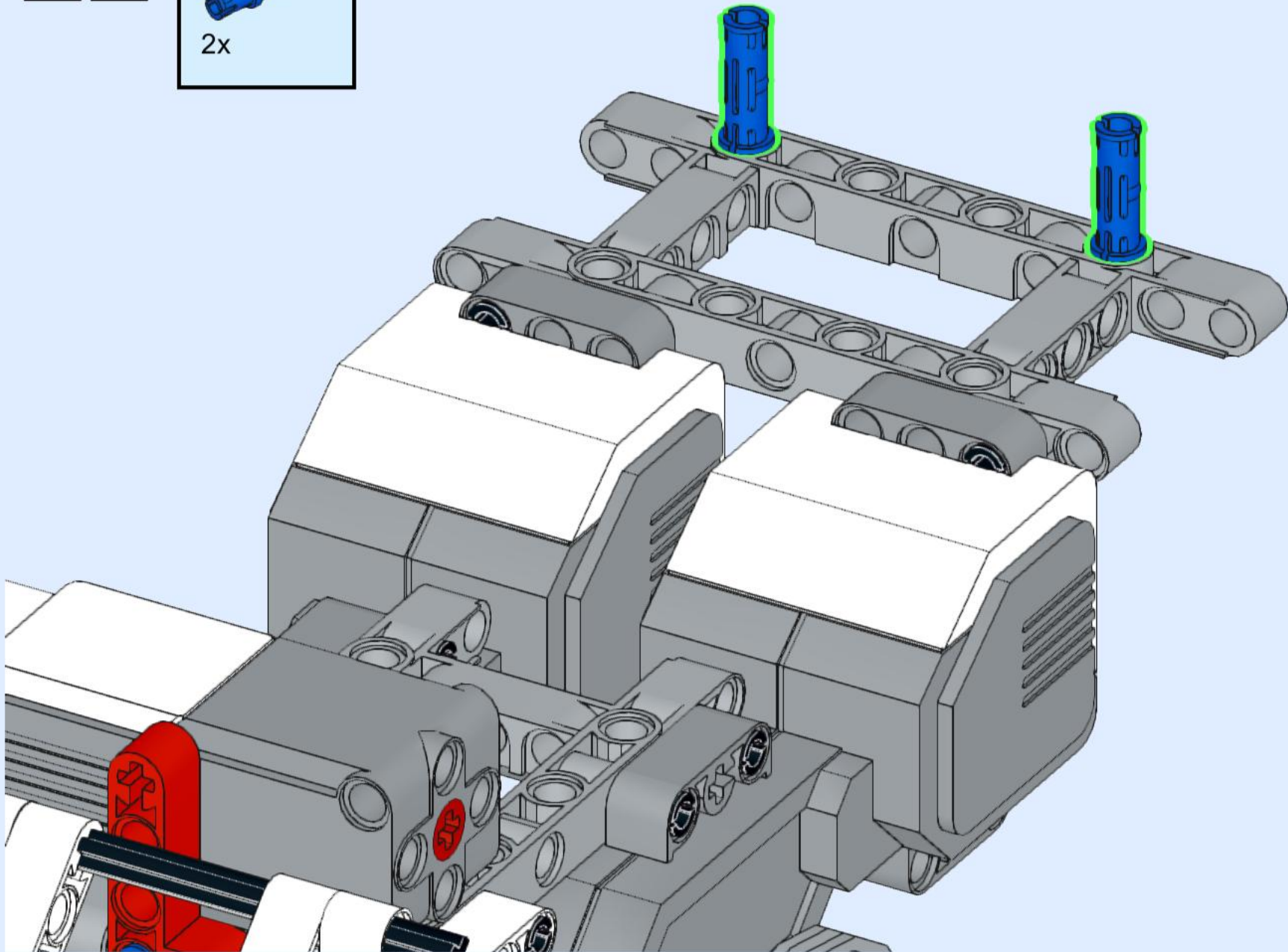




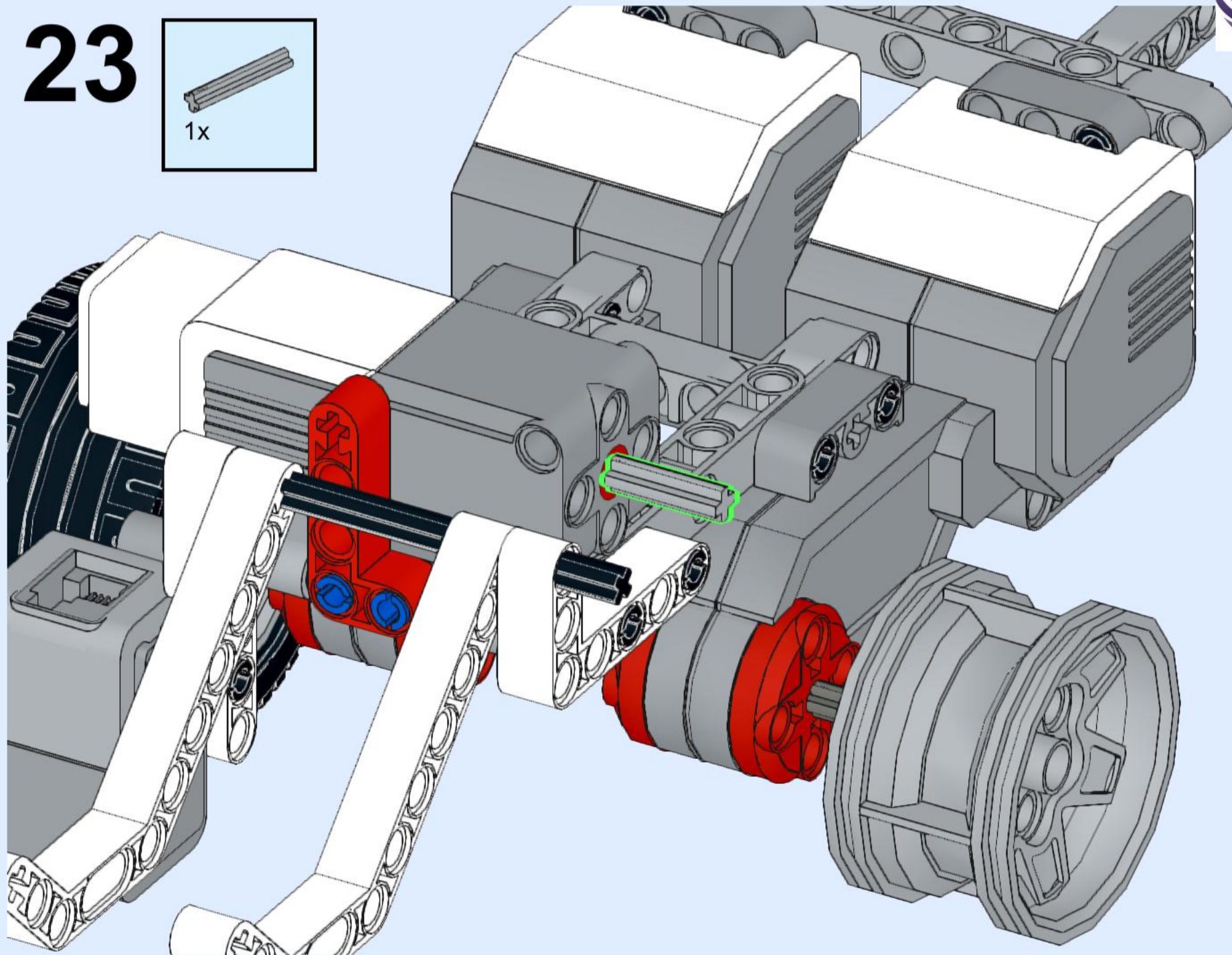
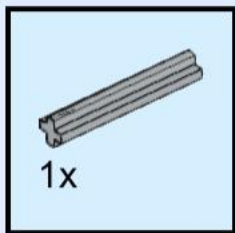
21



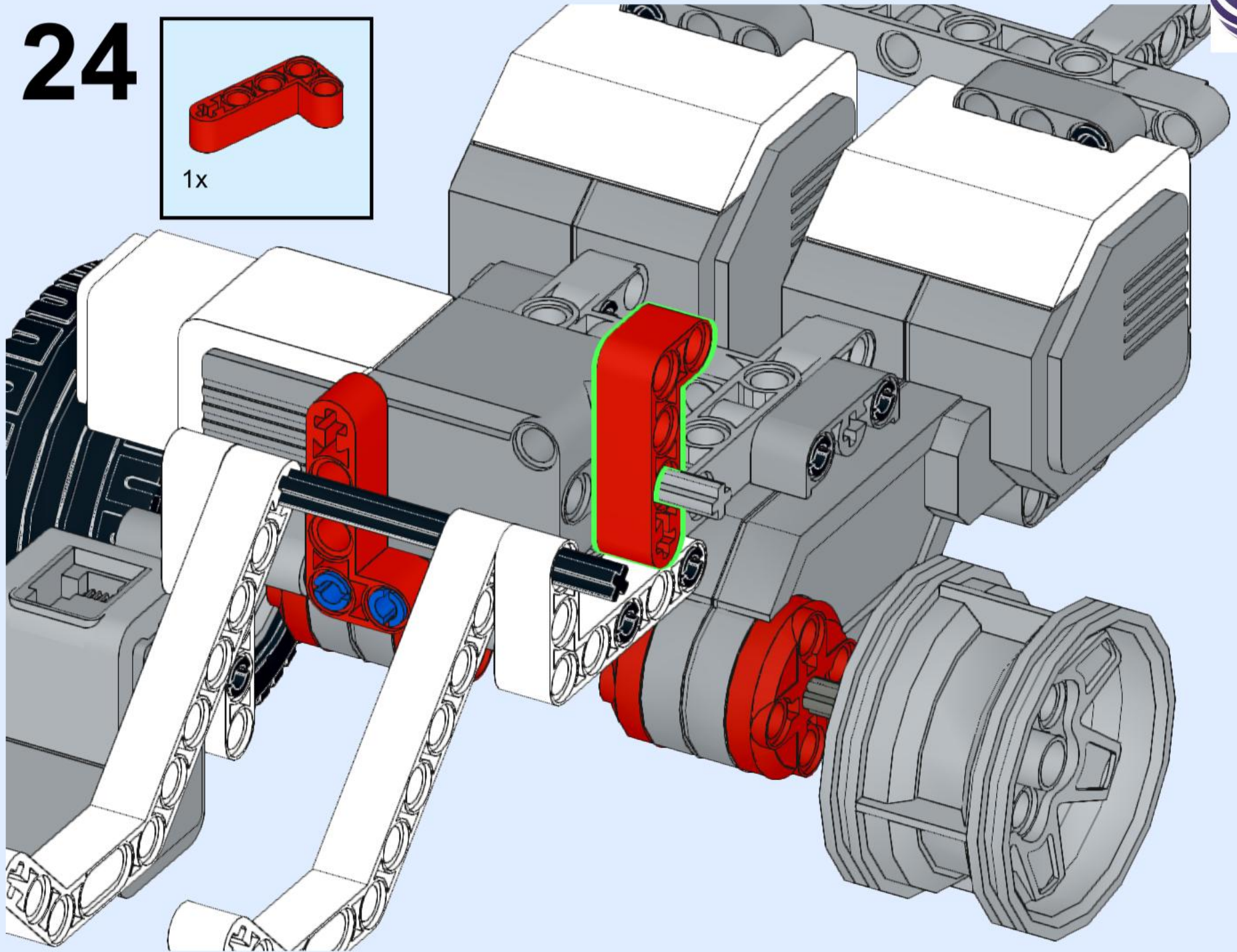
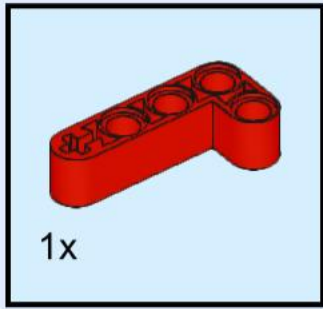
22



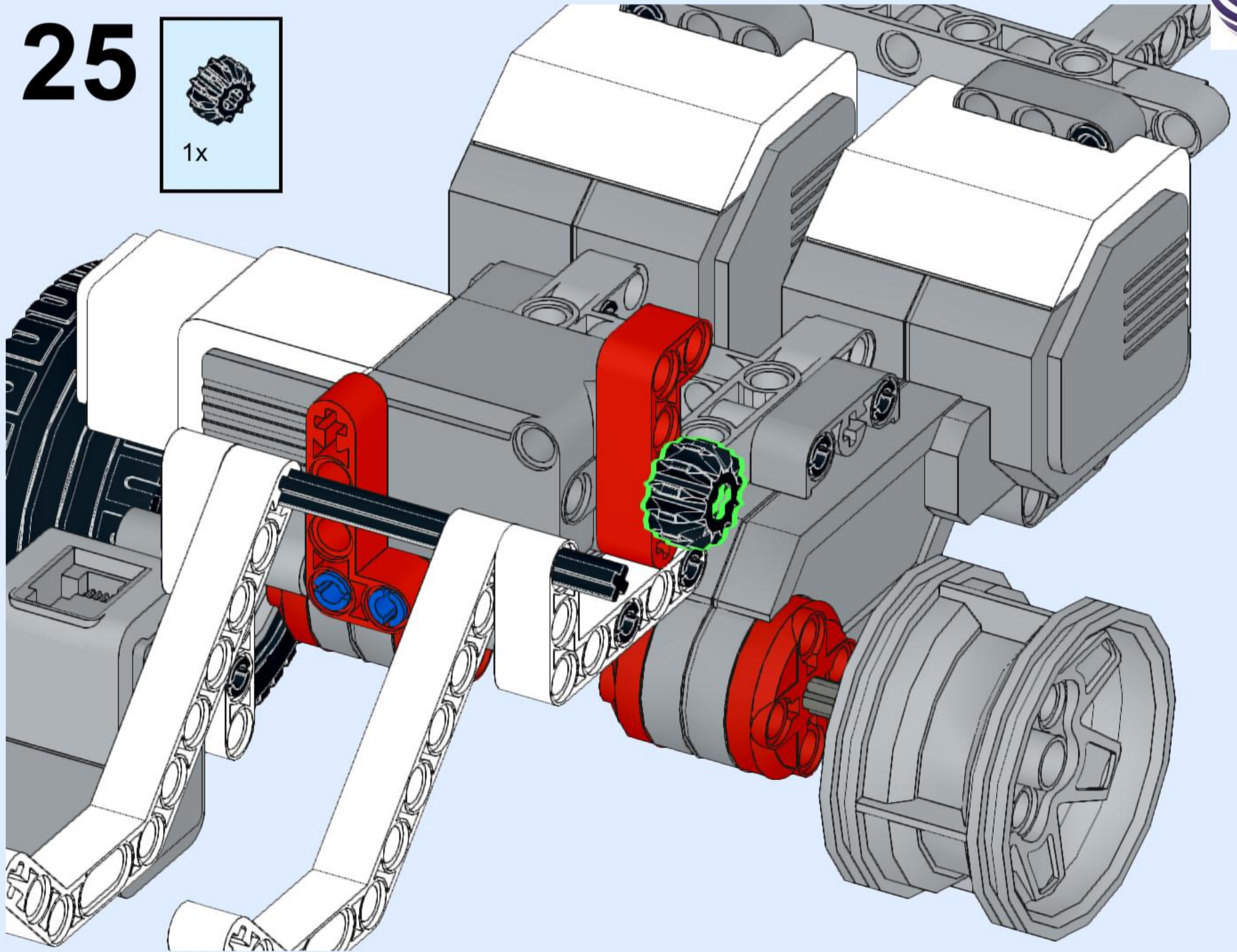
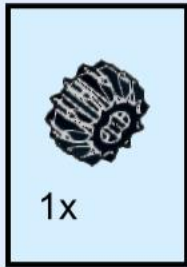
23



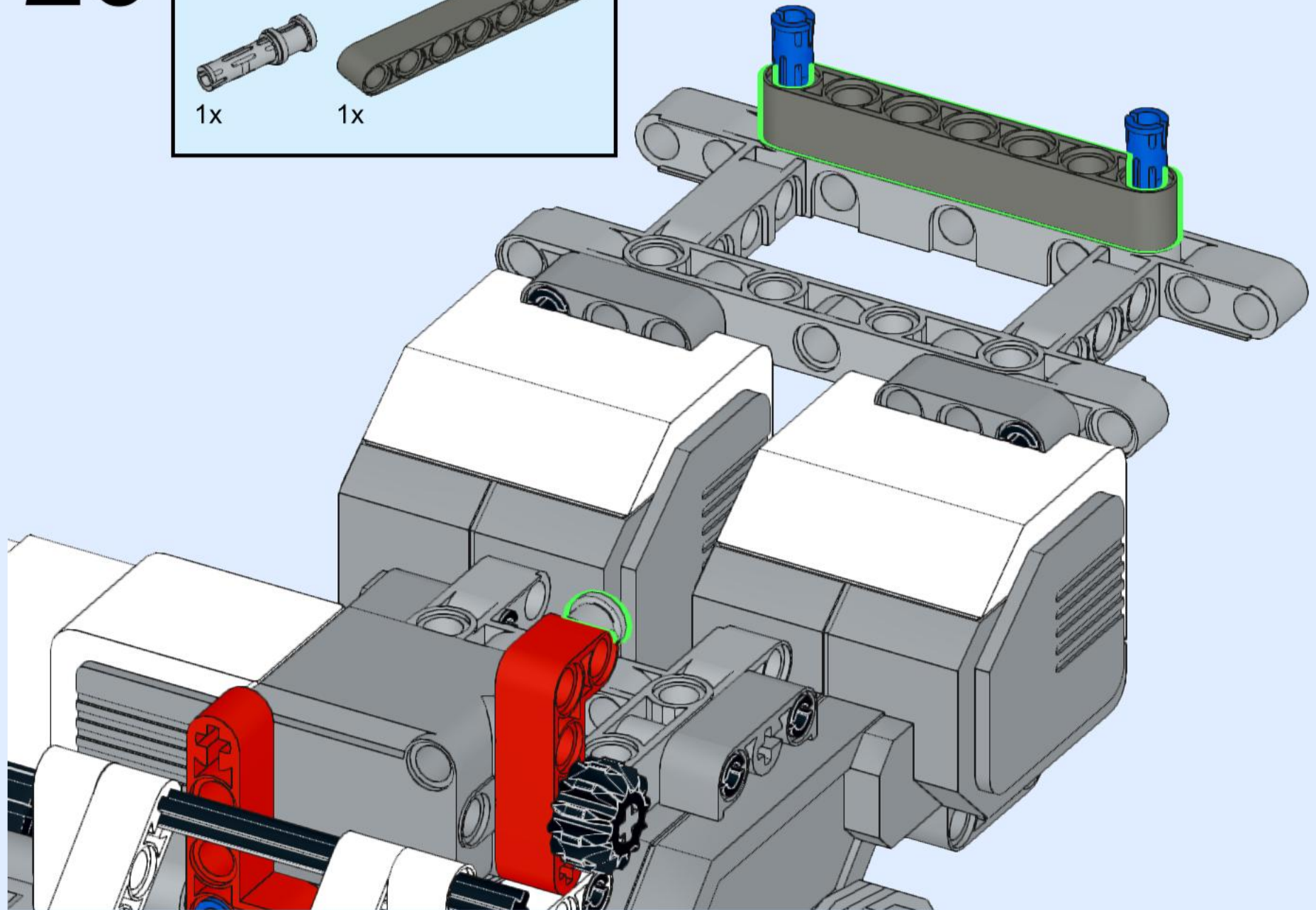
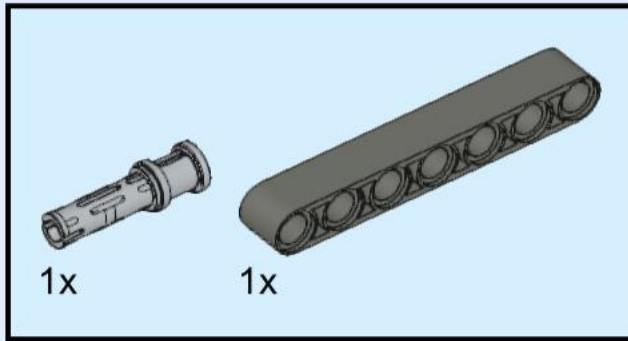
24



25

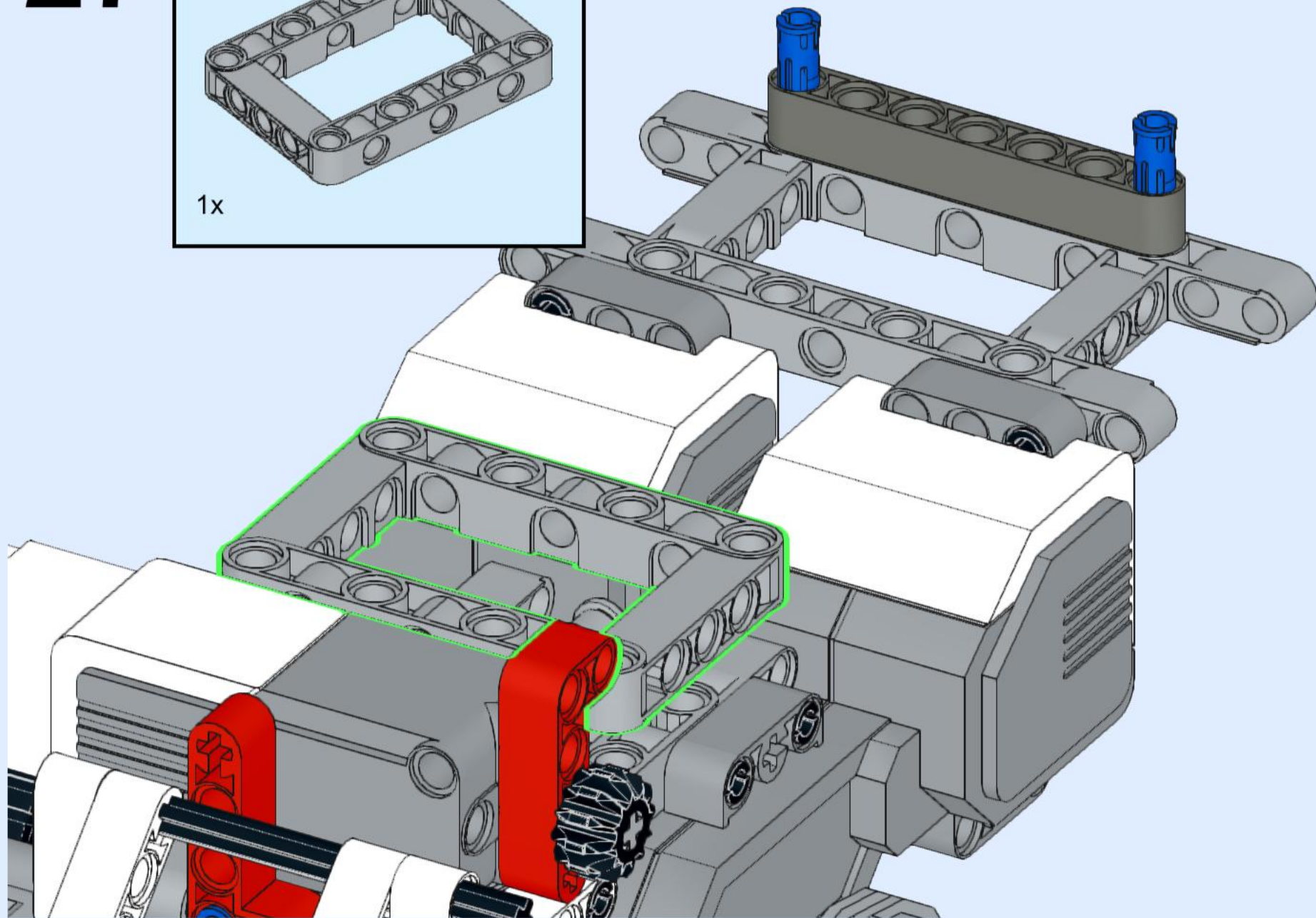
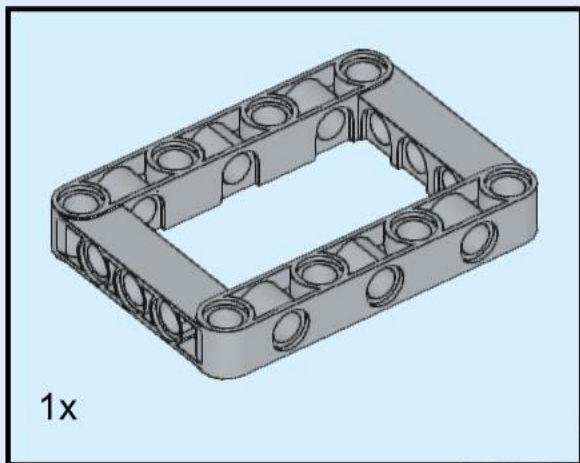


26

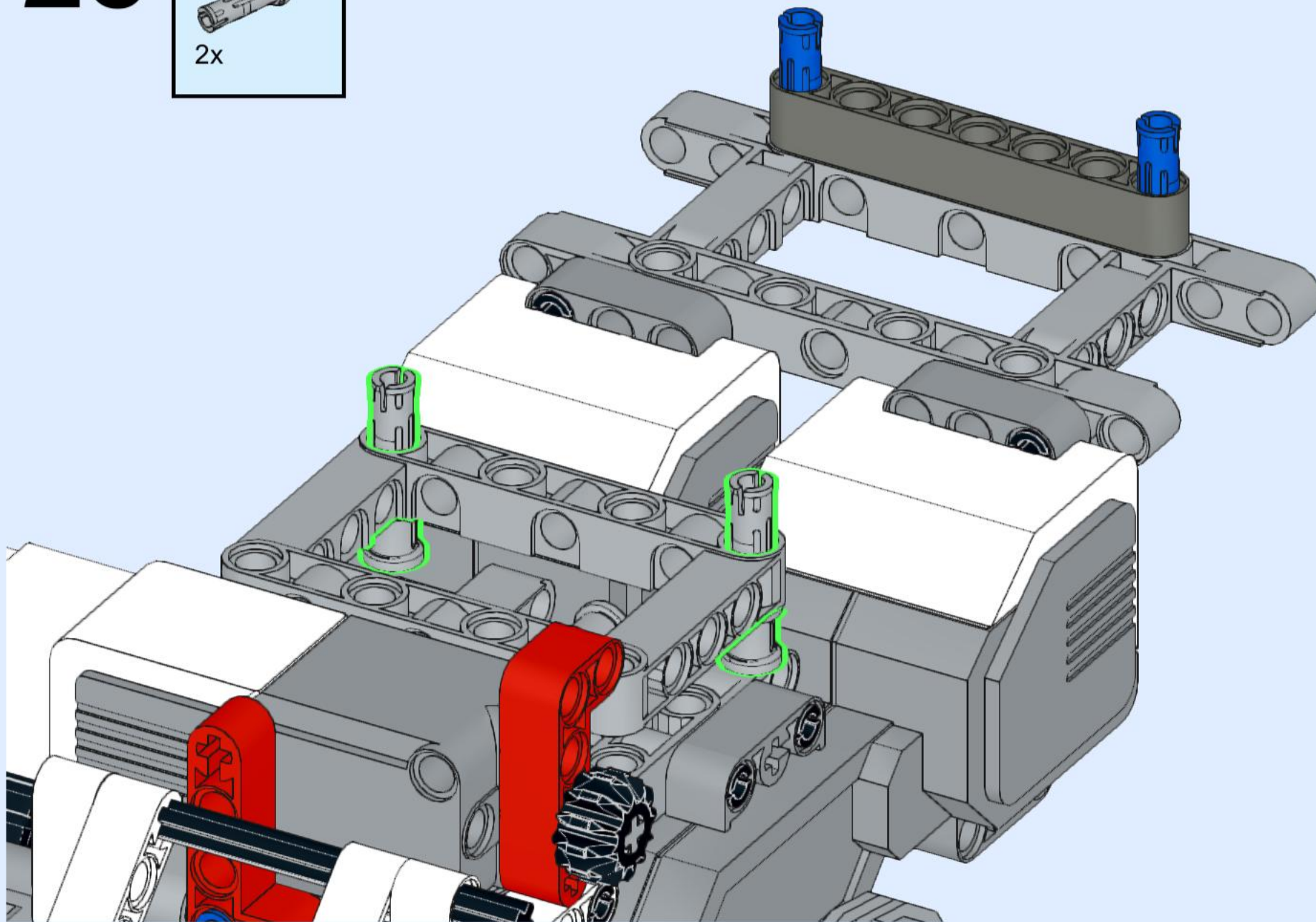
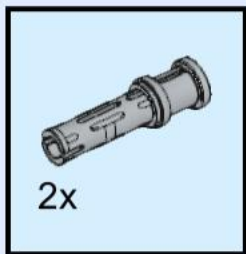




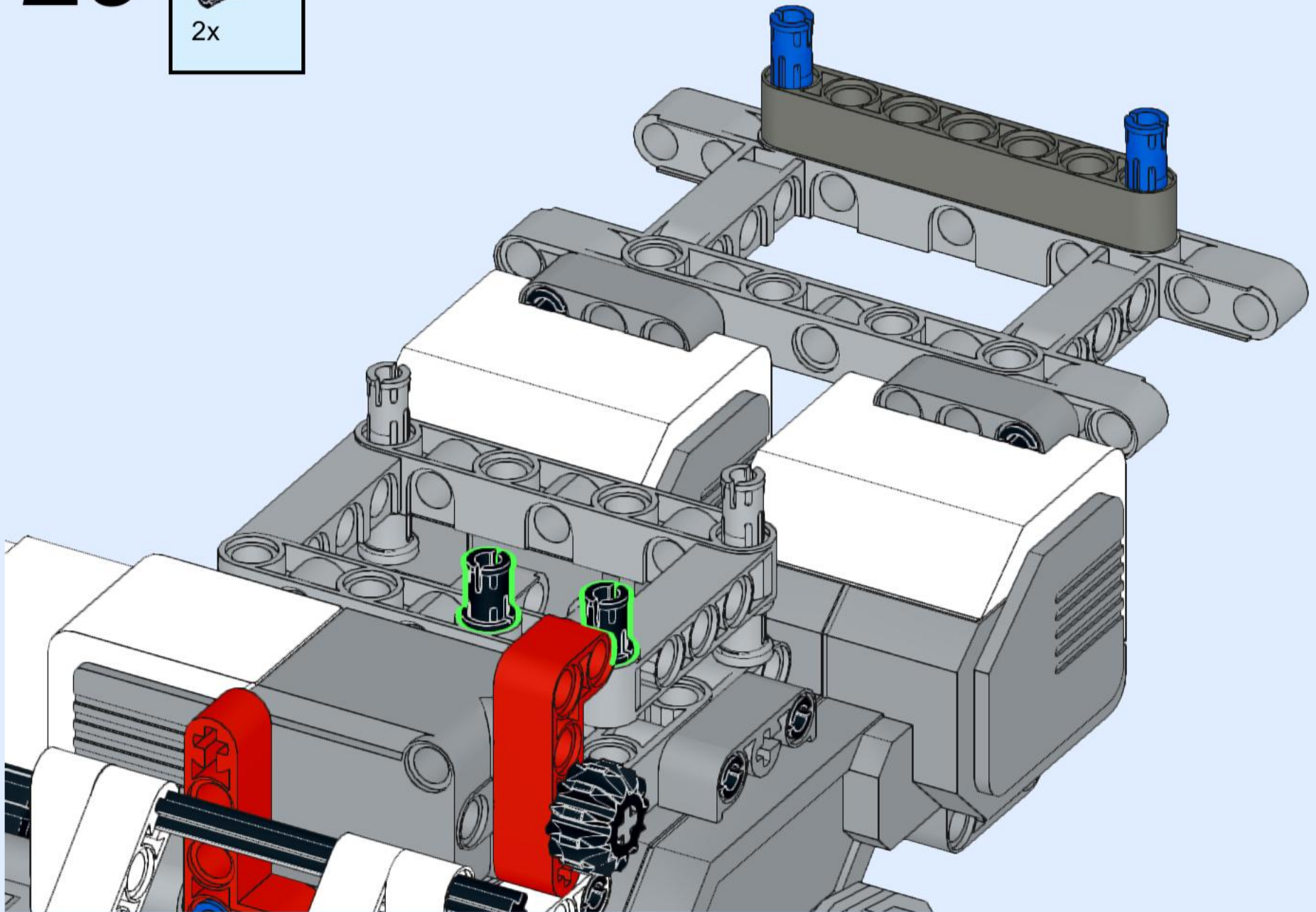
27



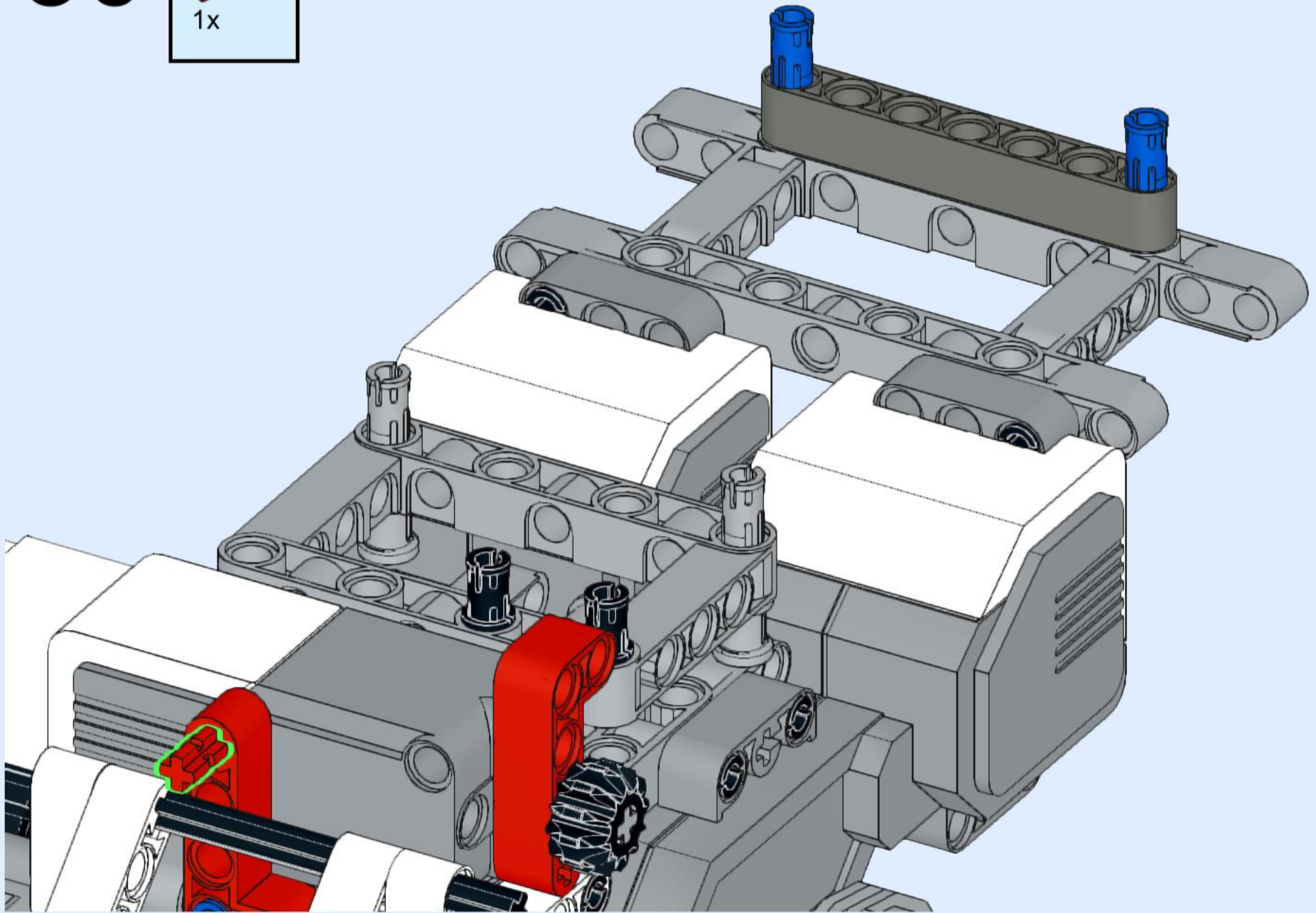
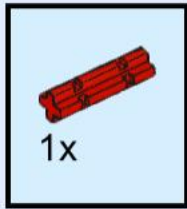
28



29

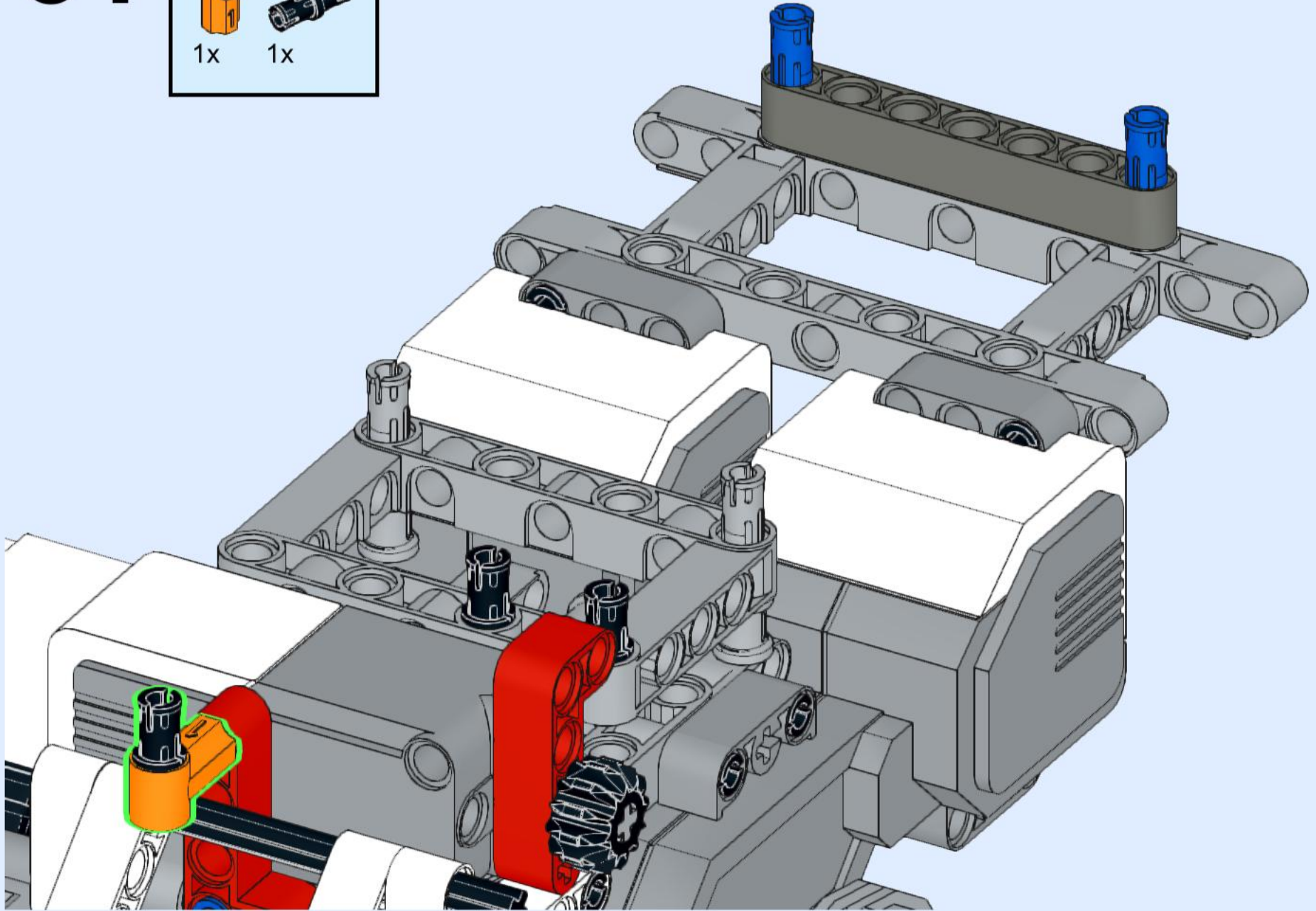
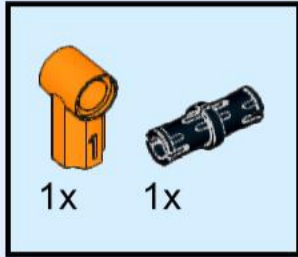


30

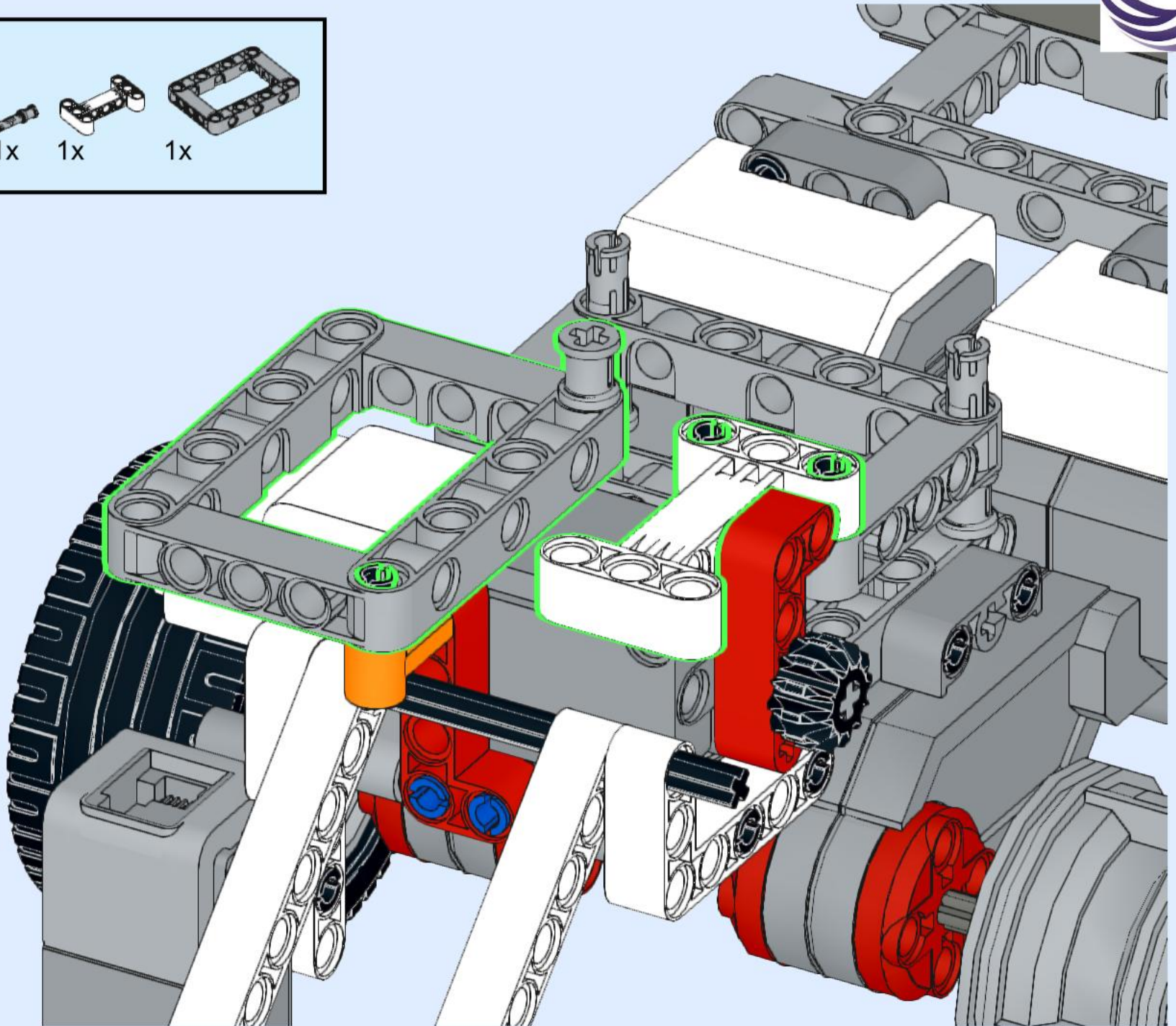
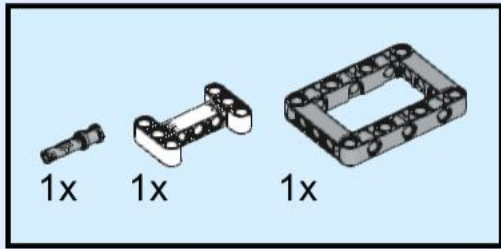




31

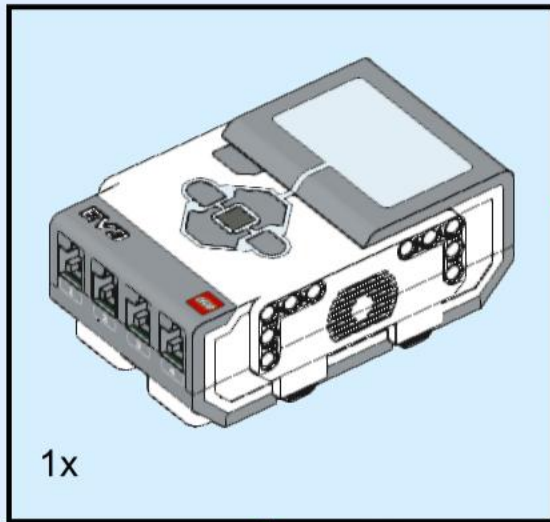


32

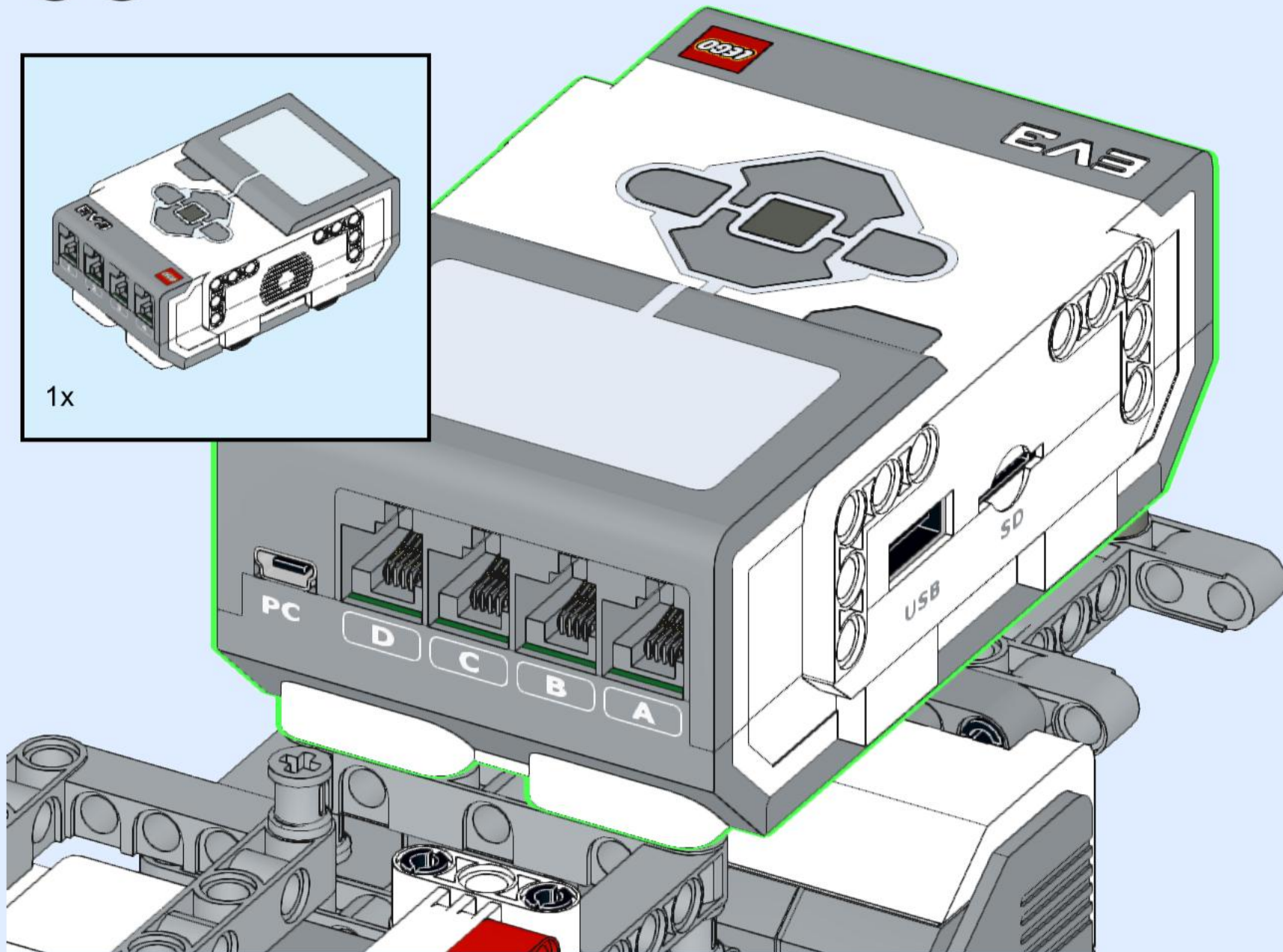




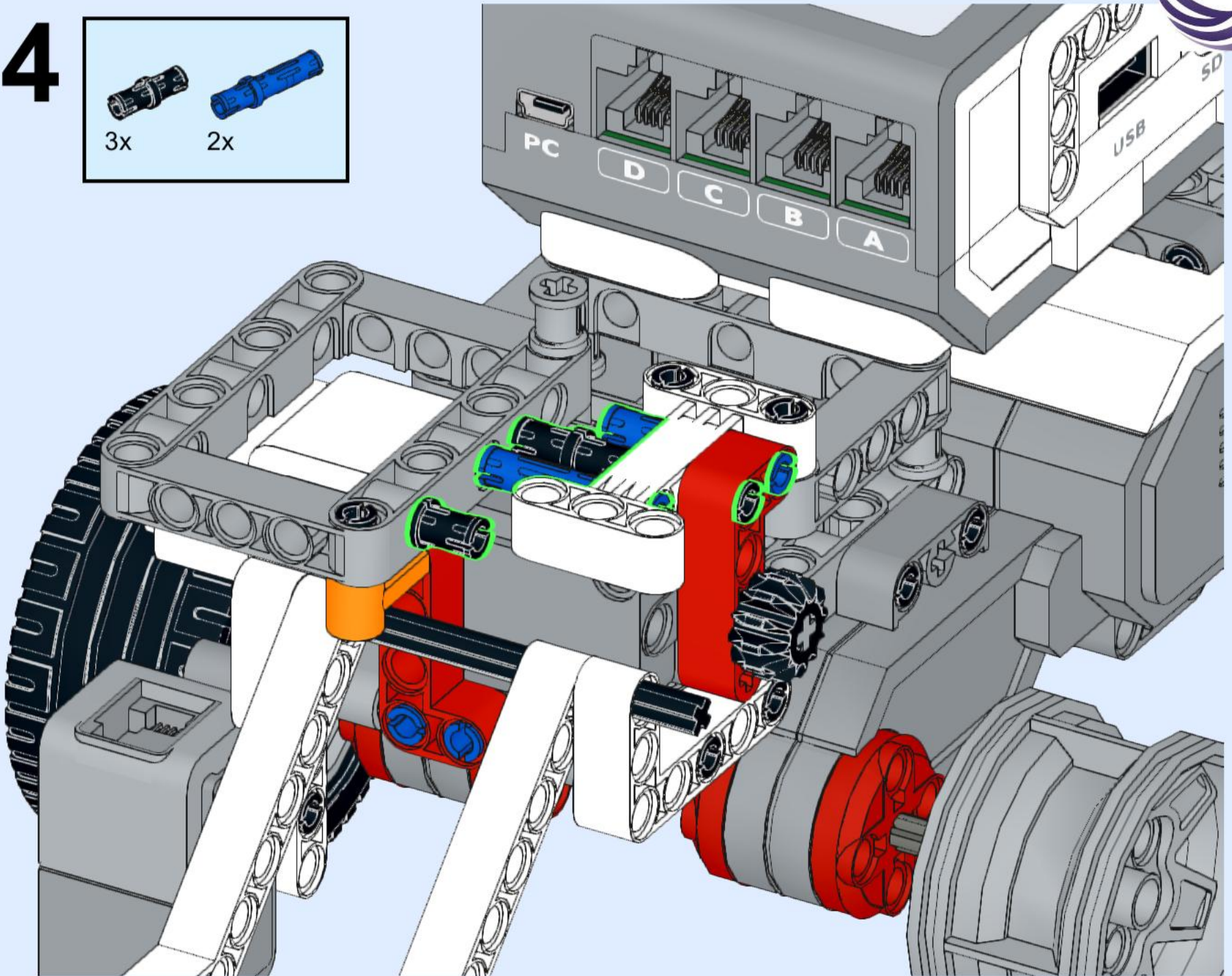
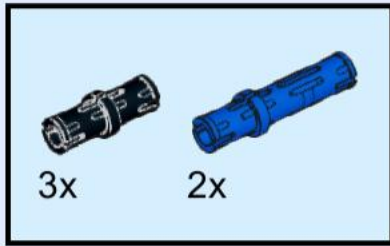
33



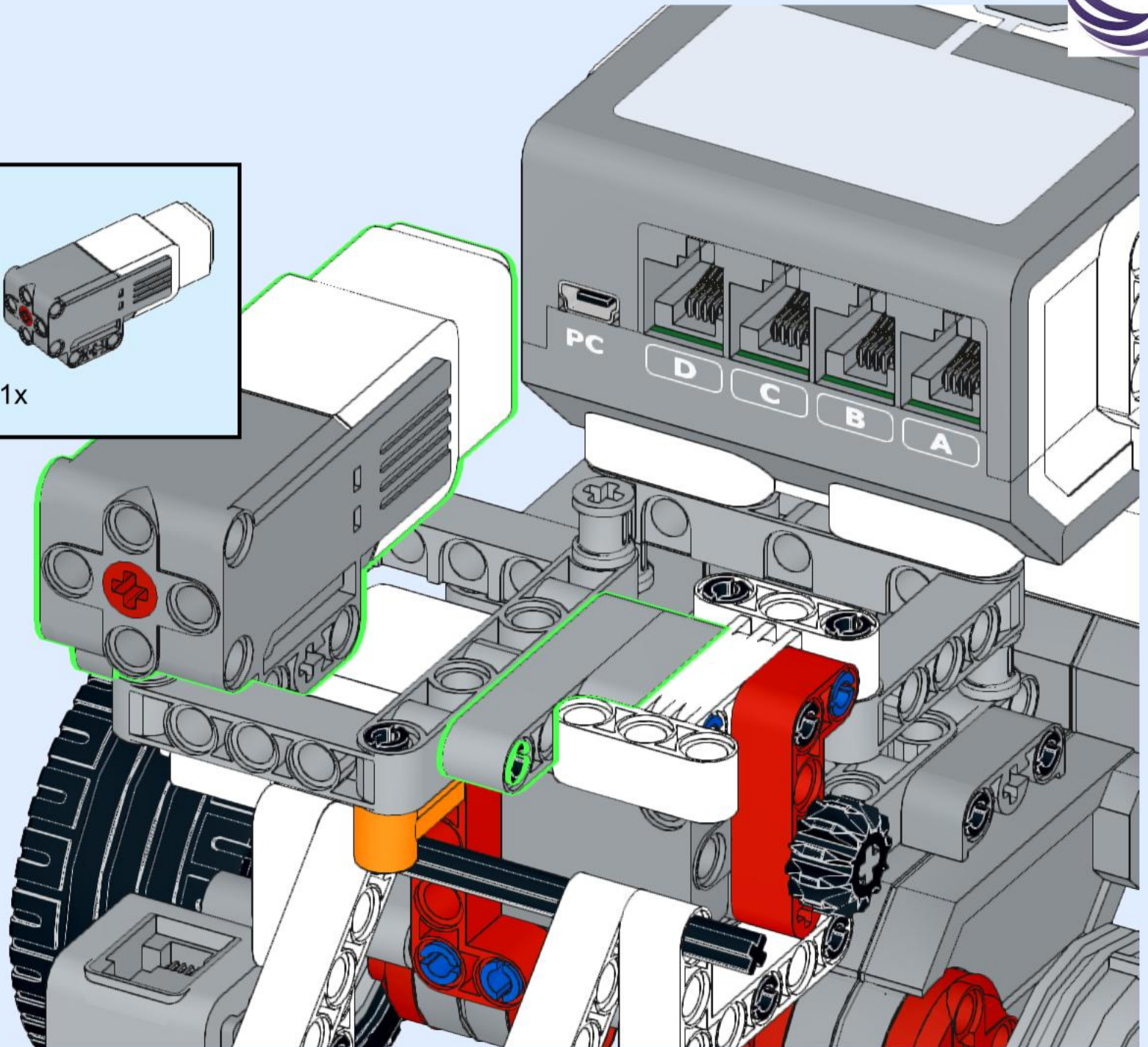
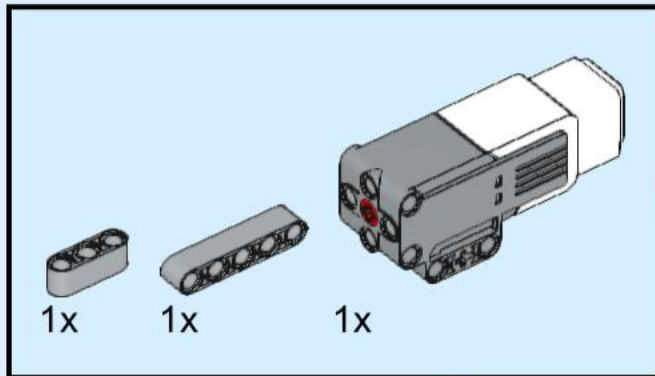
1x



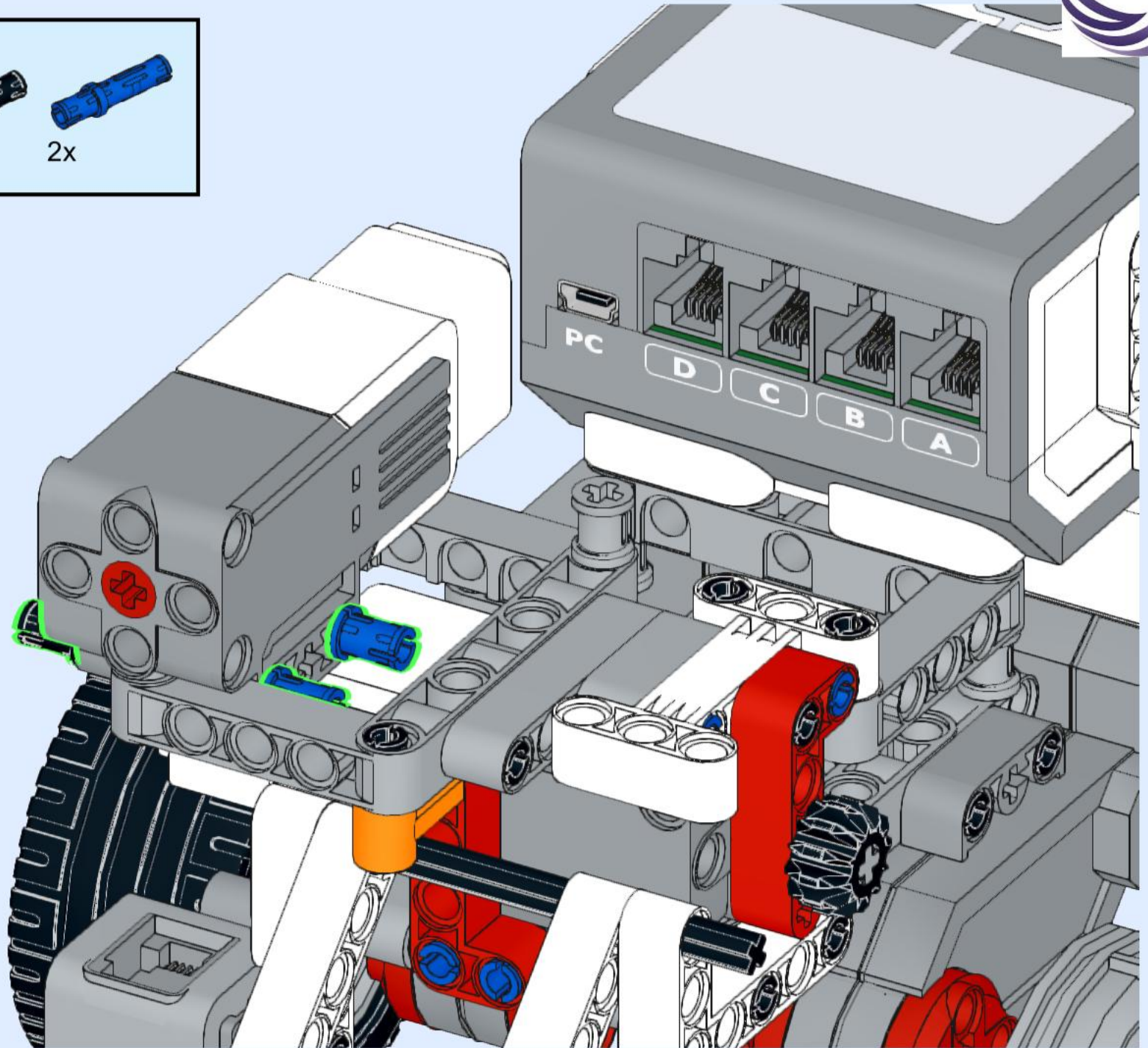
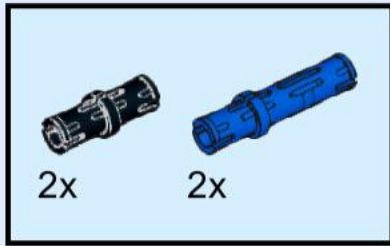
34

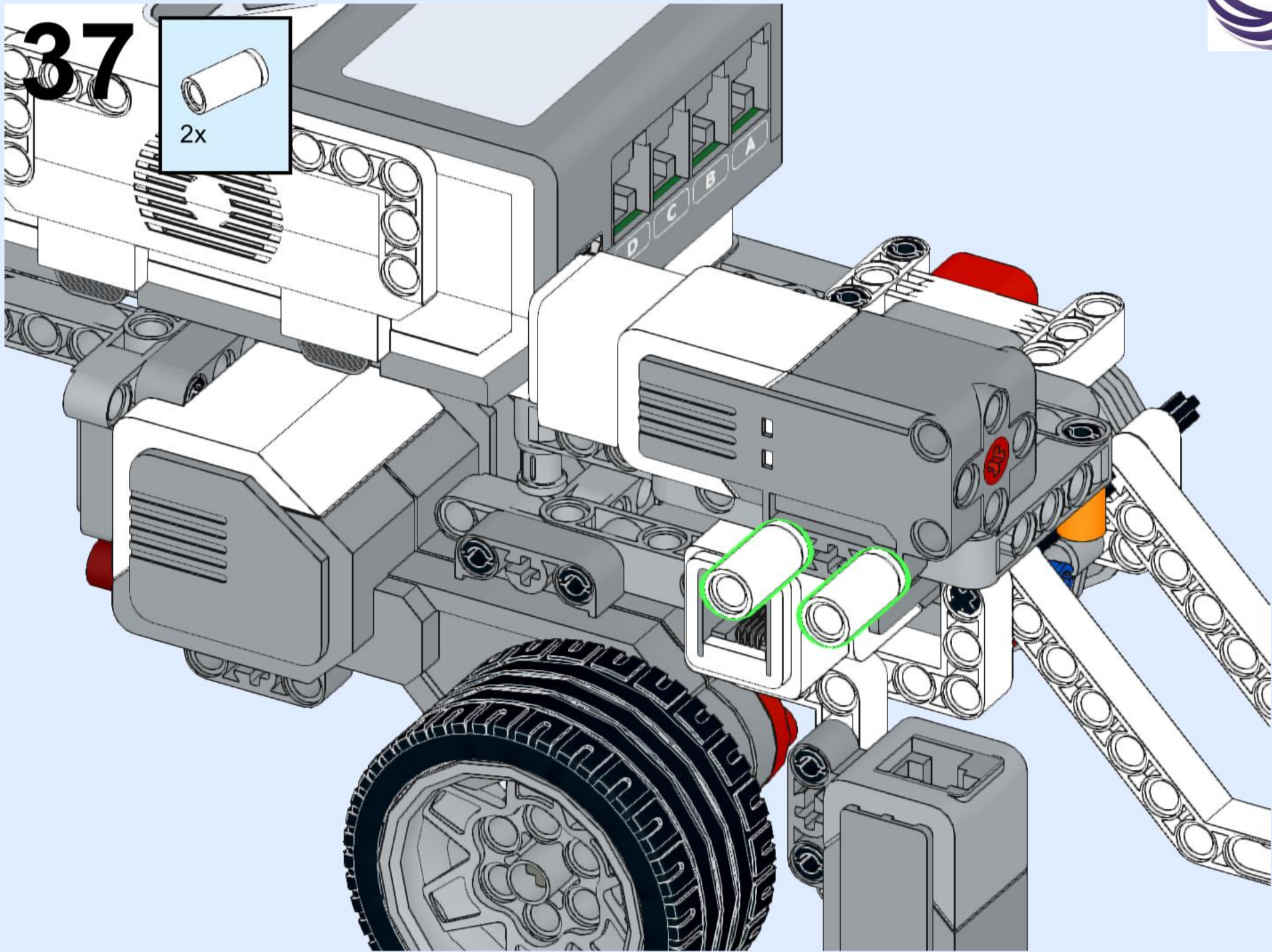


35

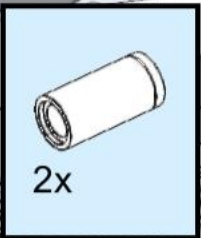


36





37

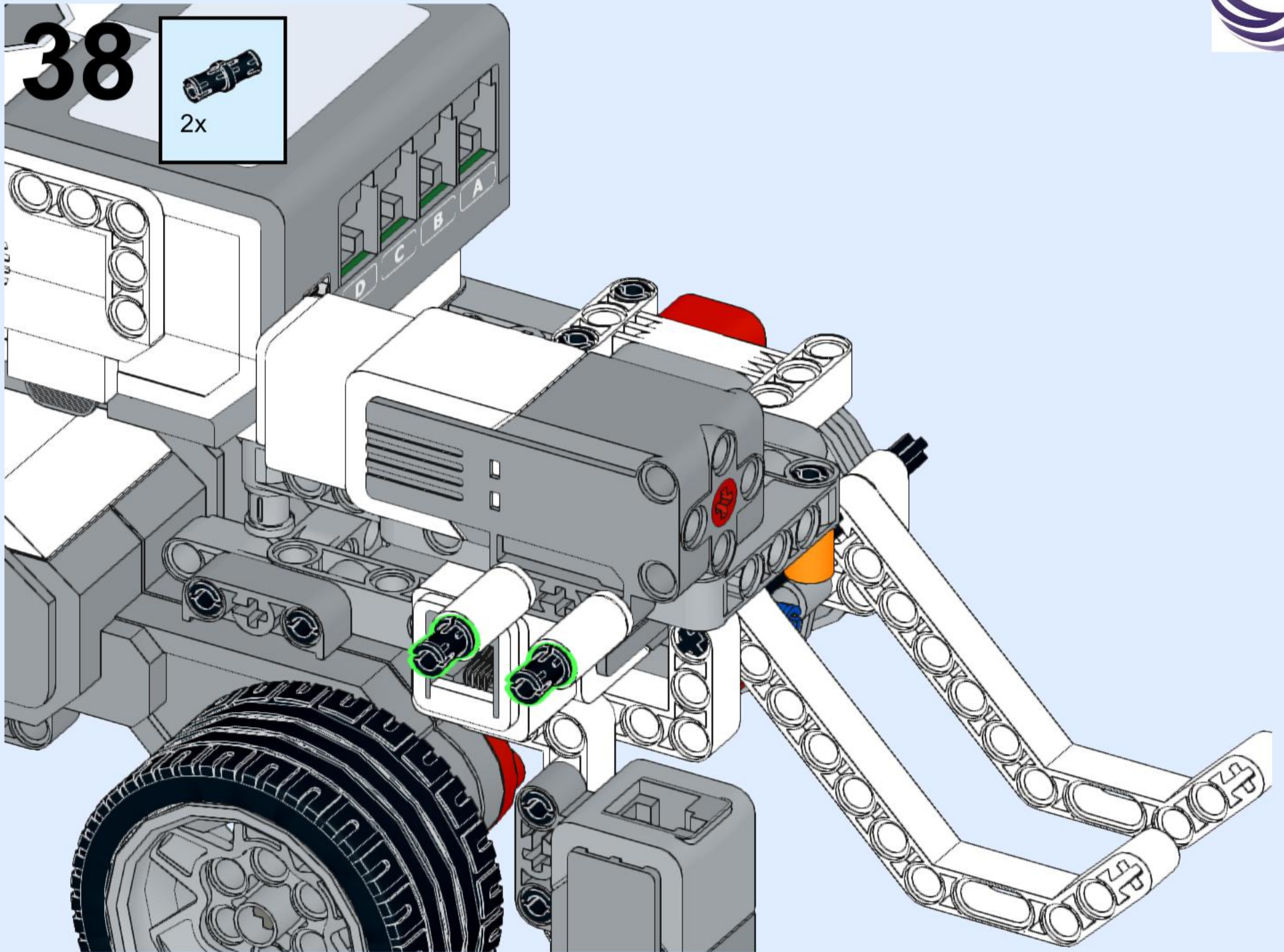




38

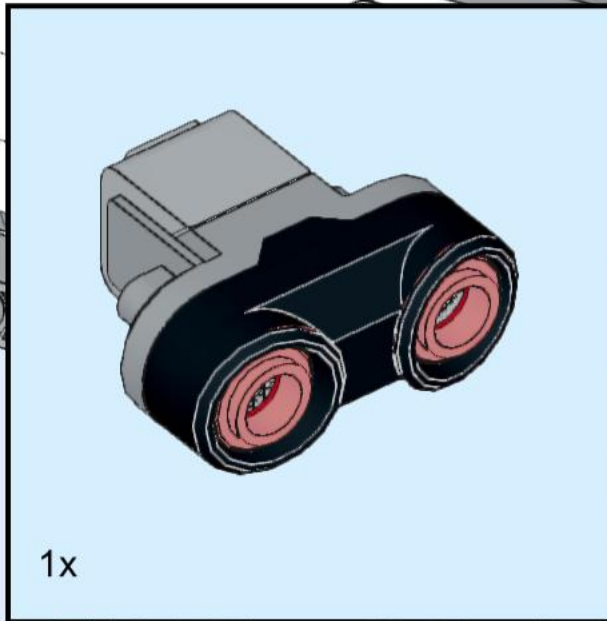


2x

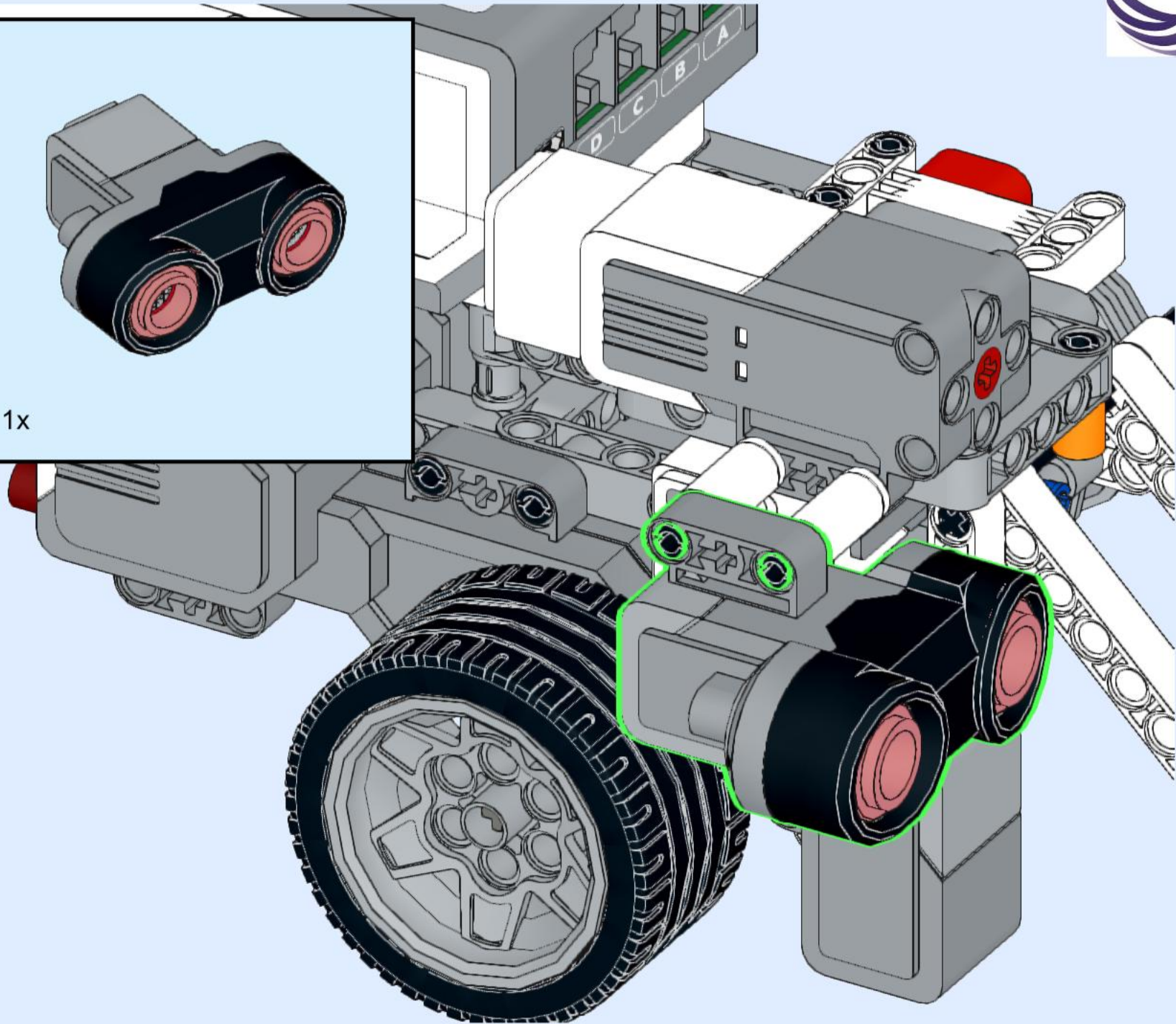




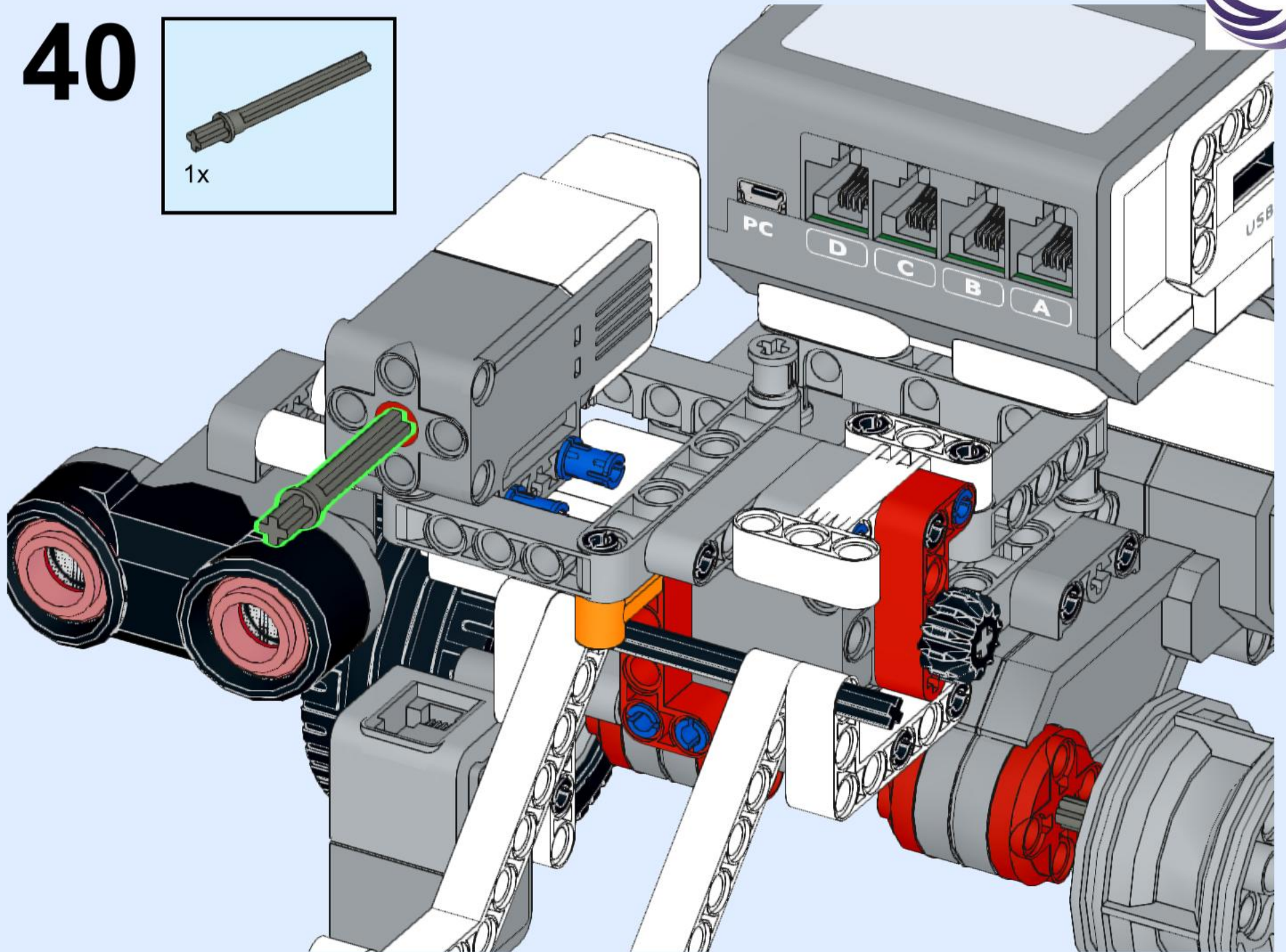
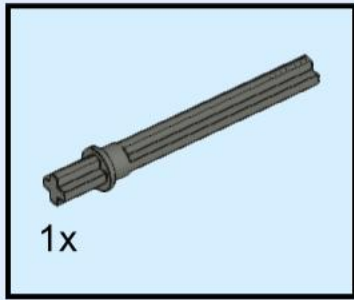
39



1x

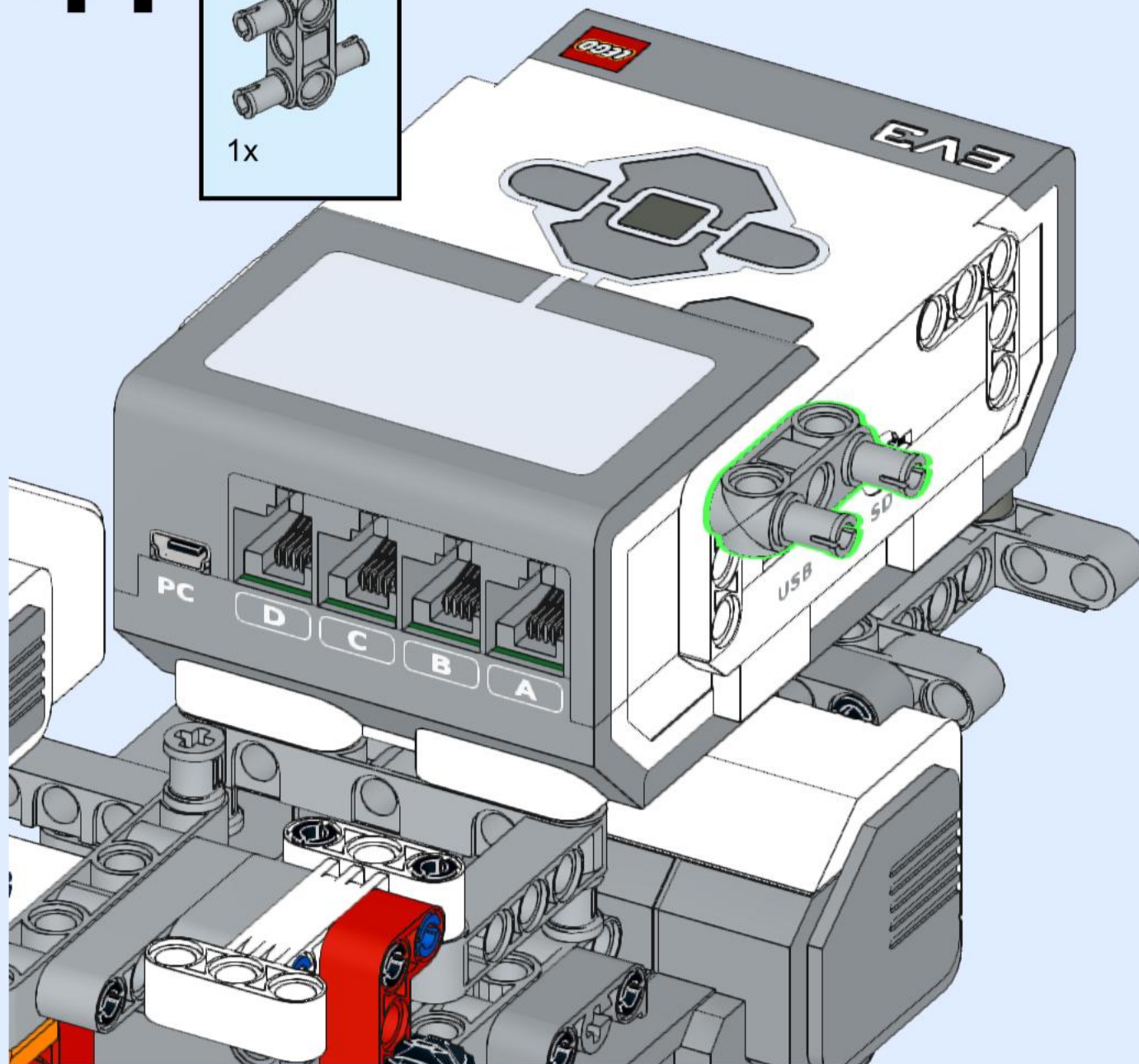
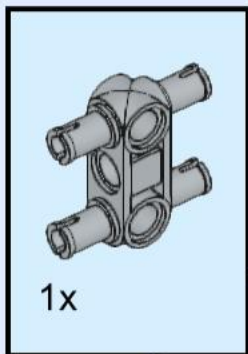


40



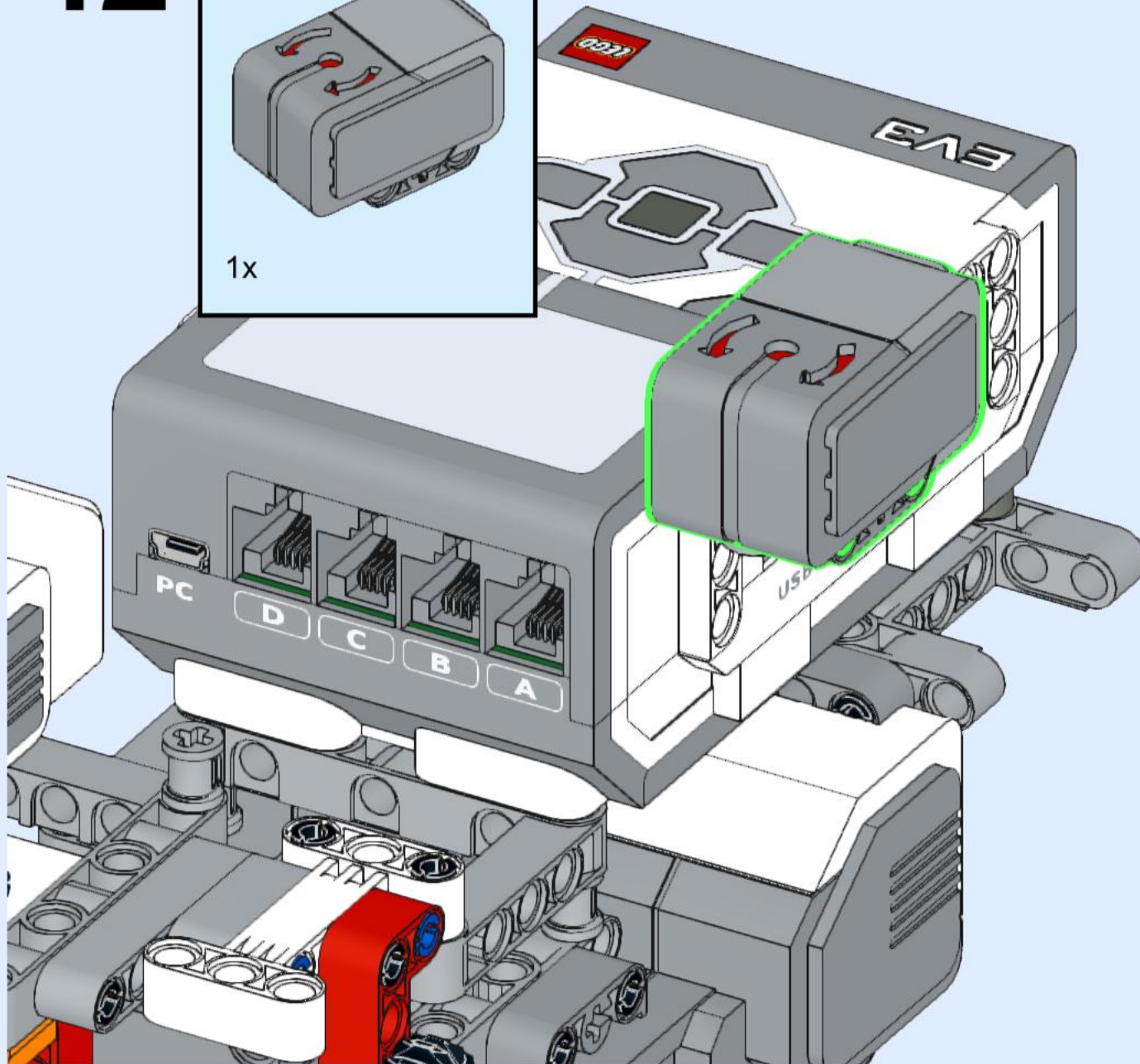
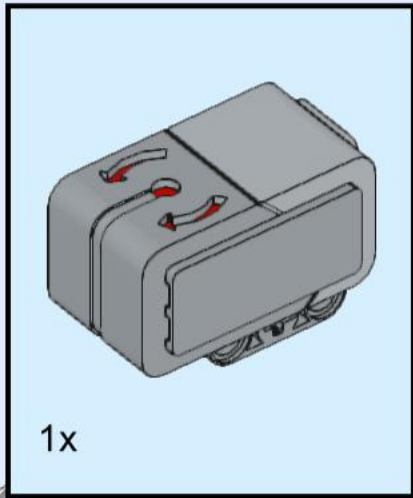


41



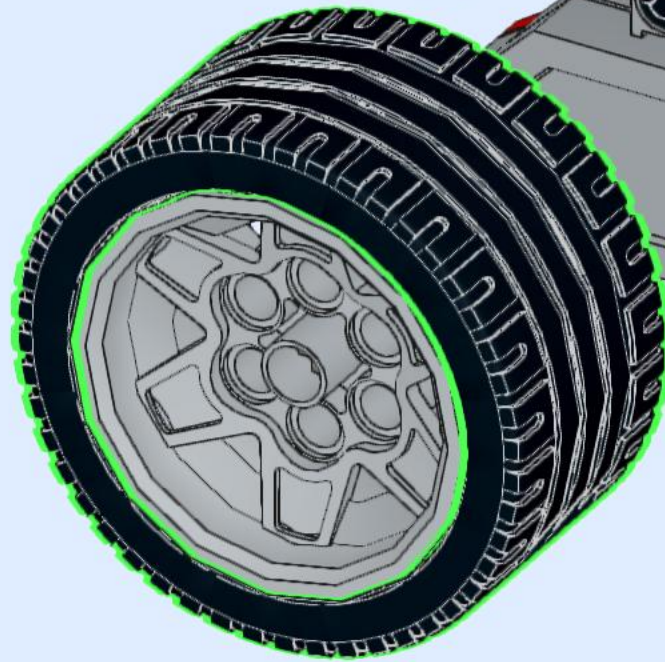


42





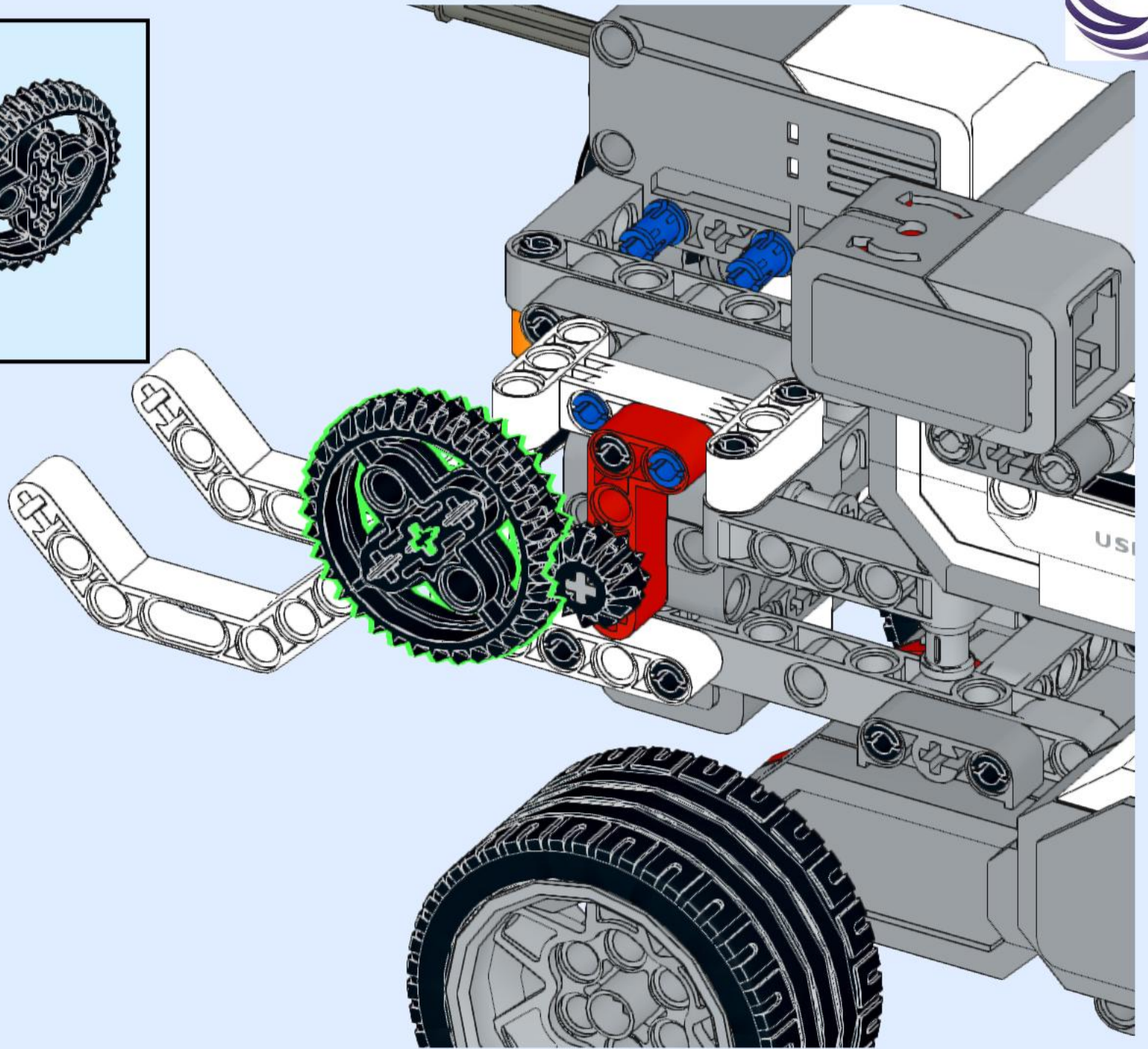
43



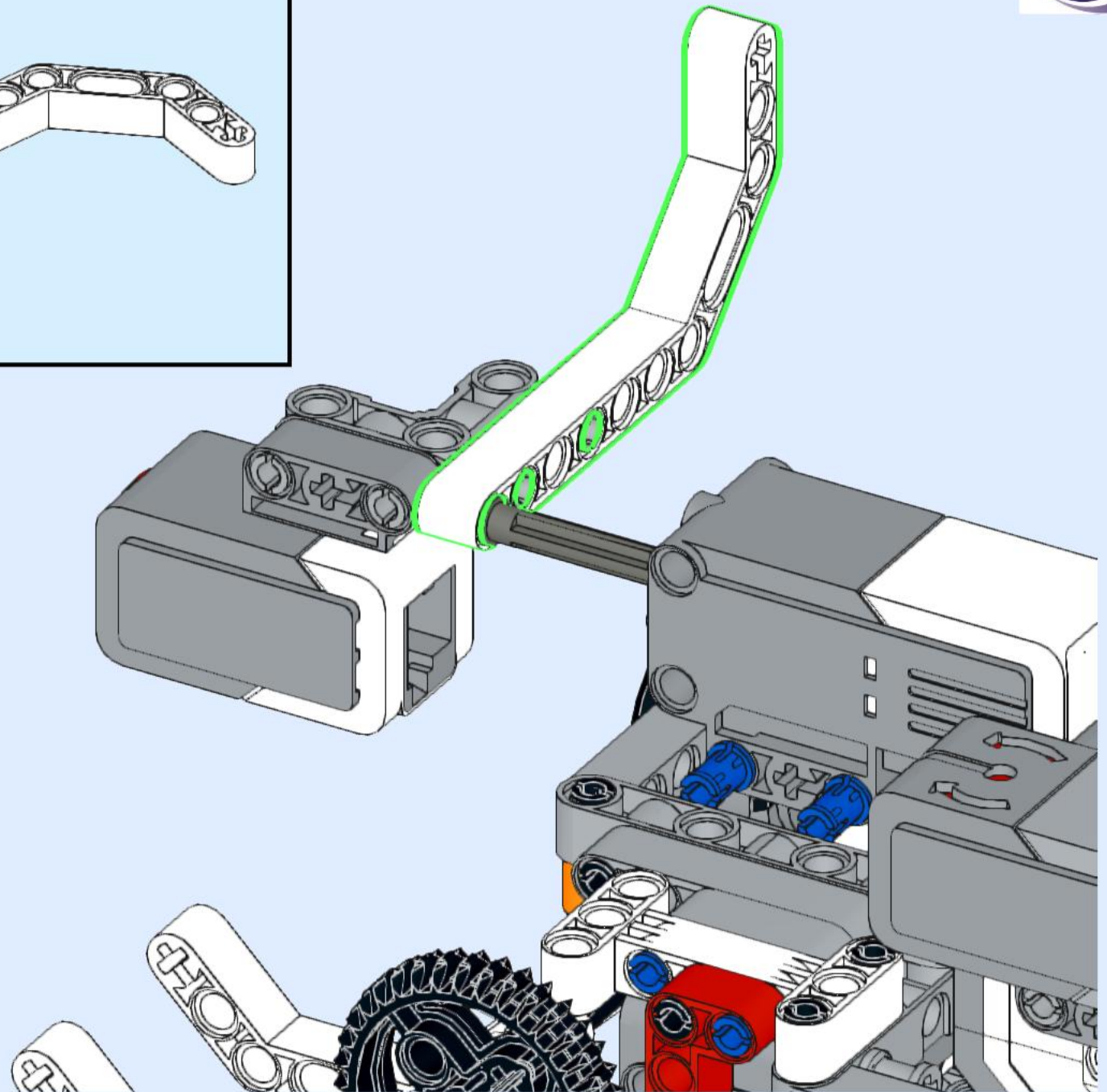
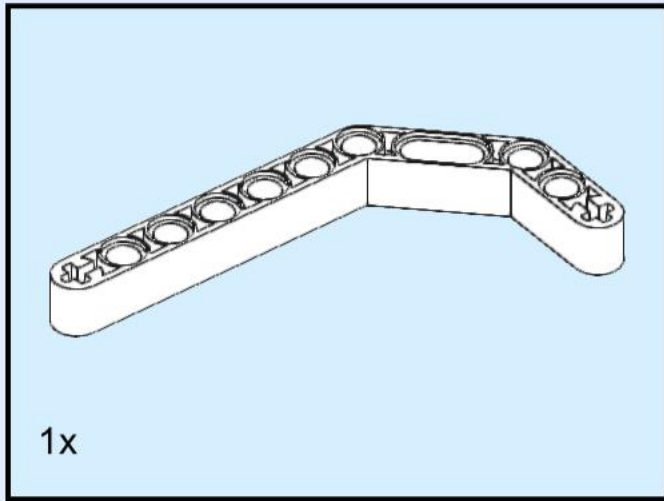
USB

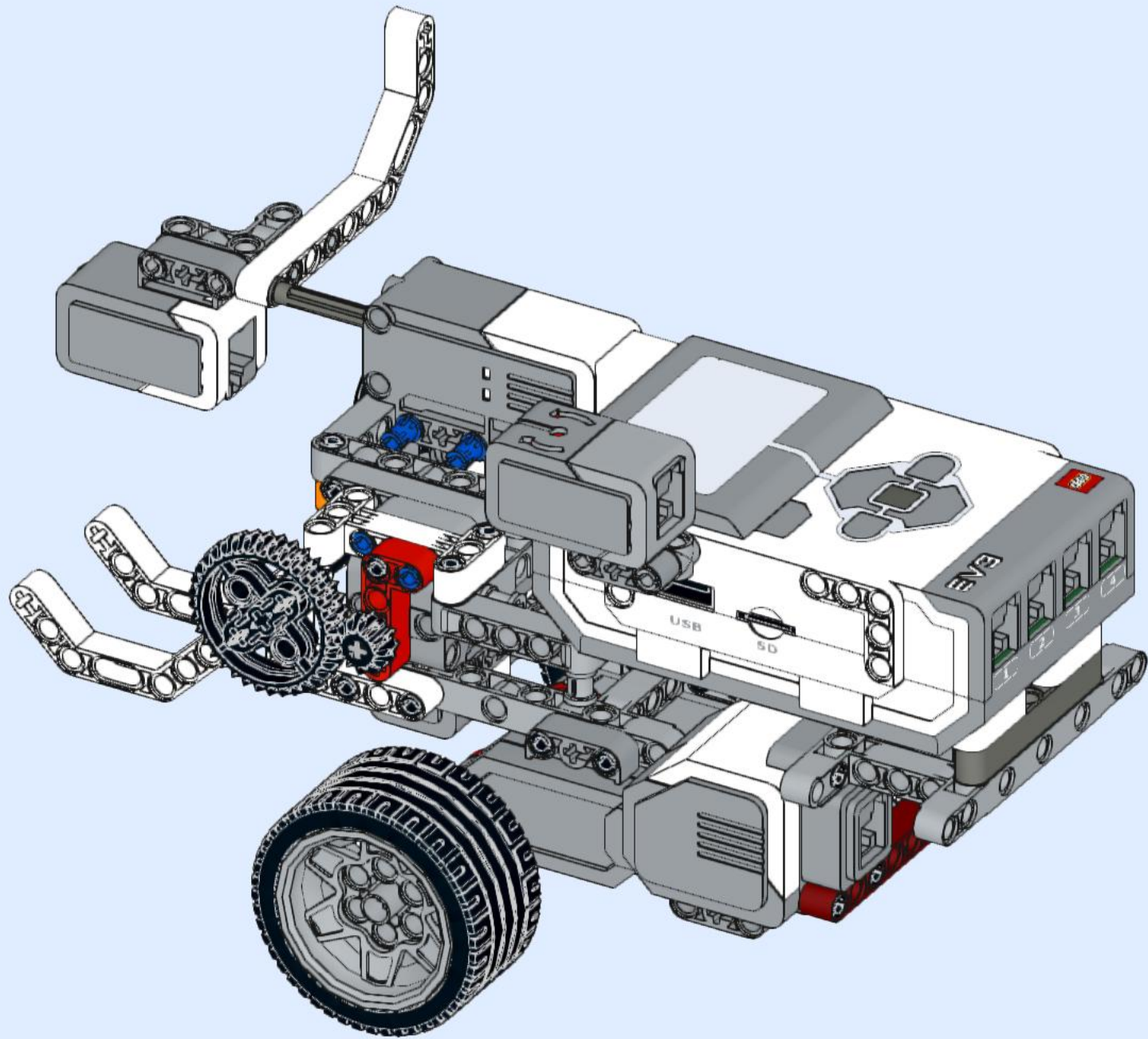
SD

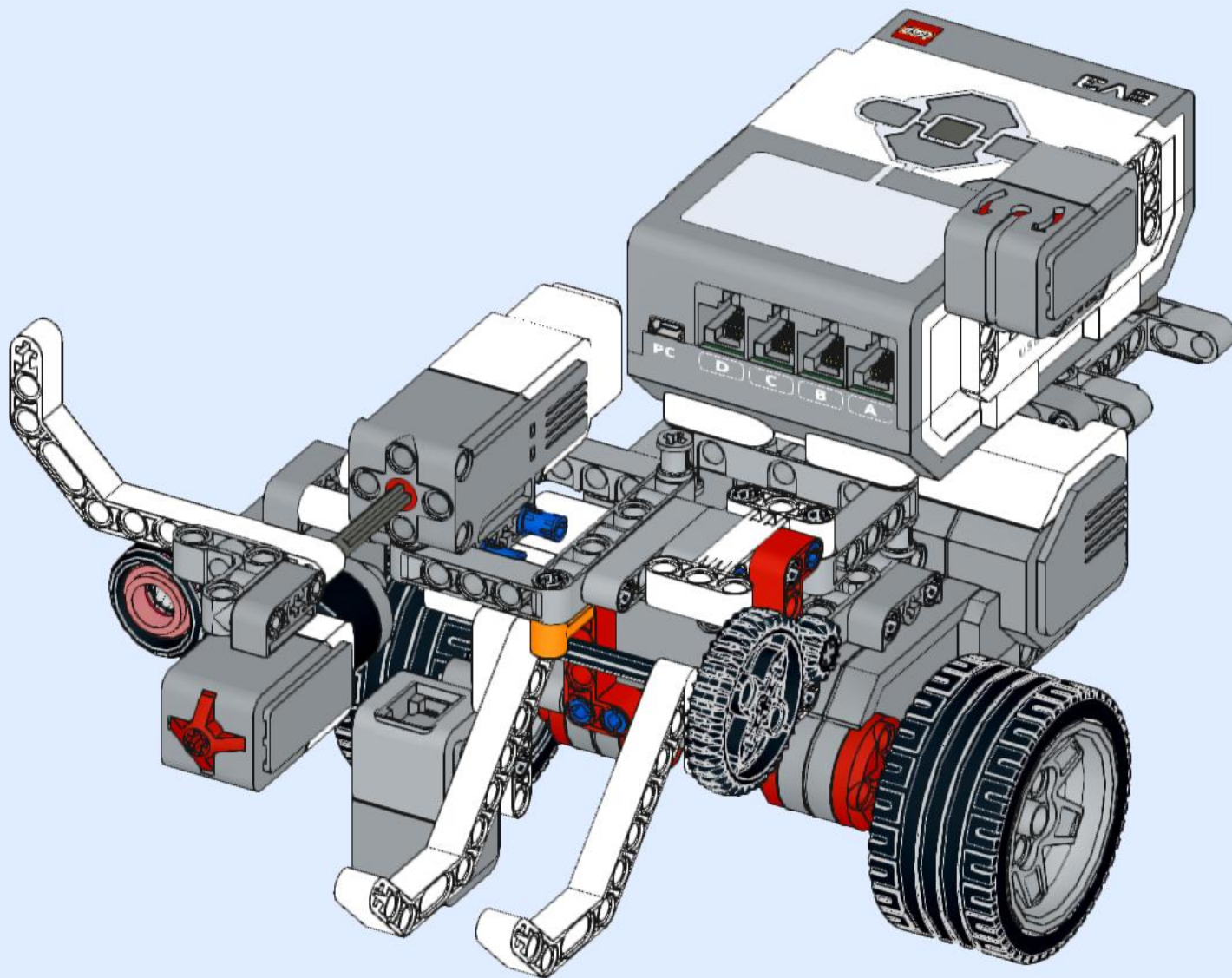
44

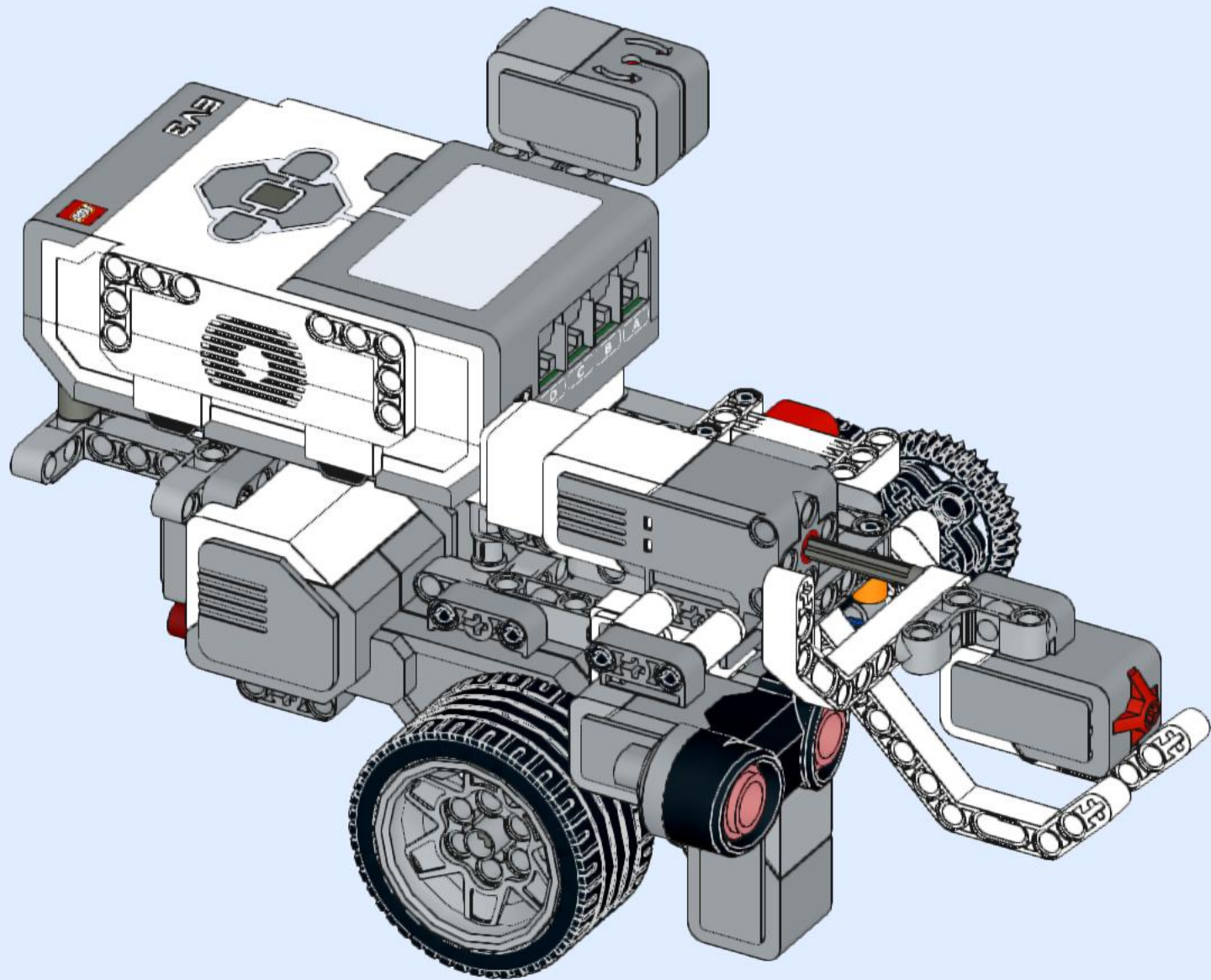


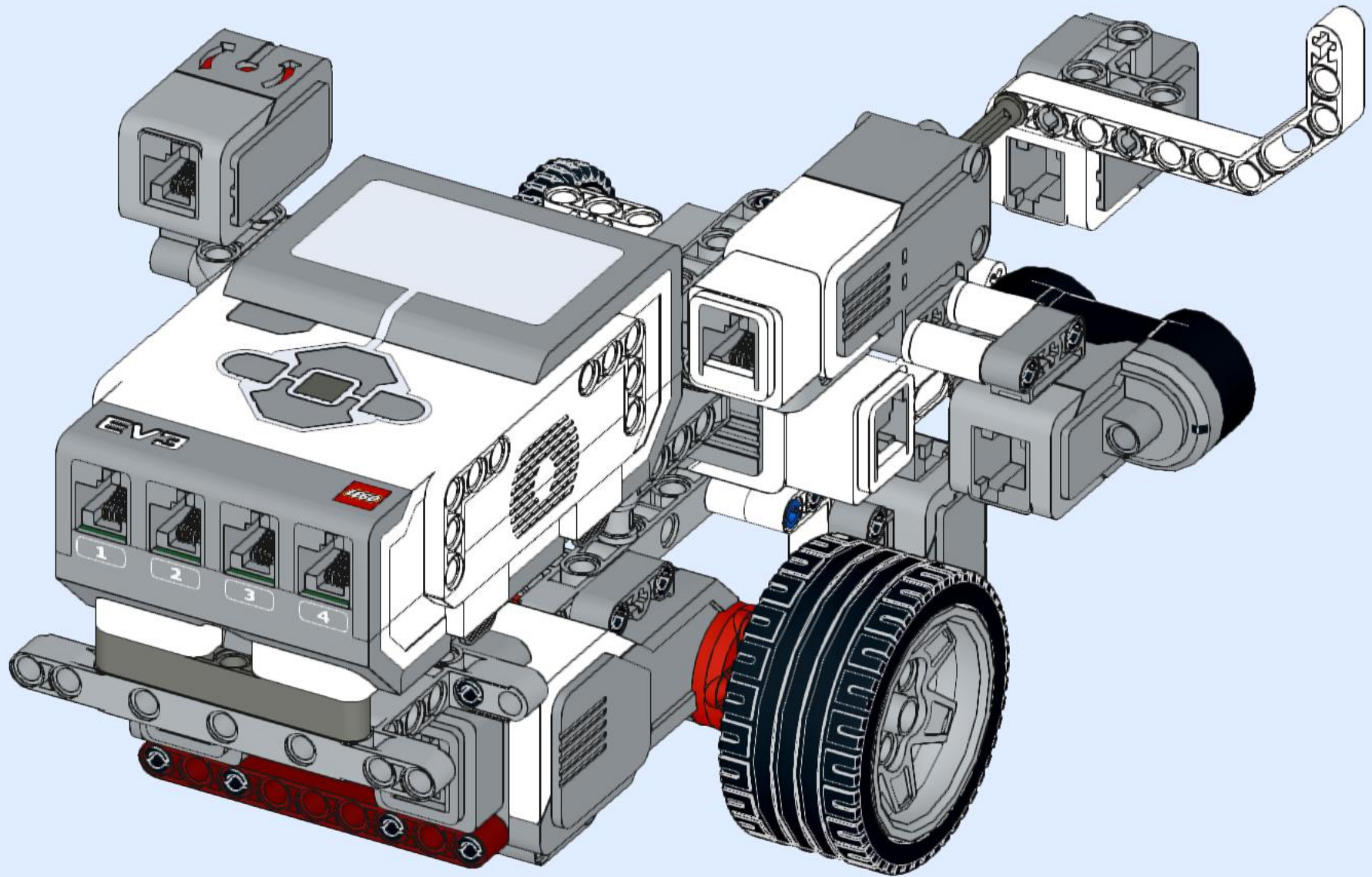
46











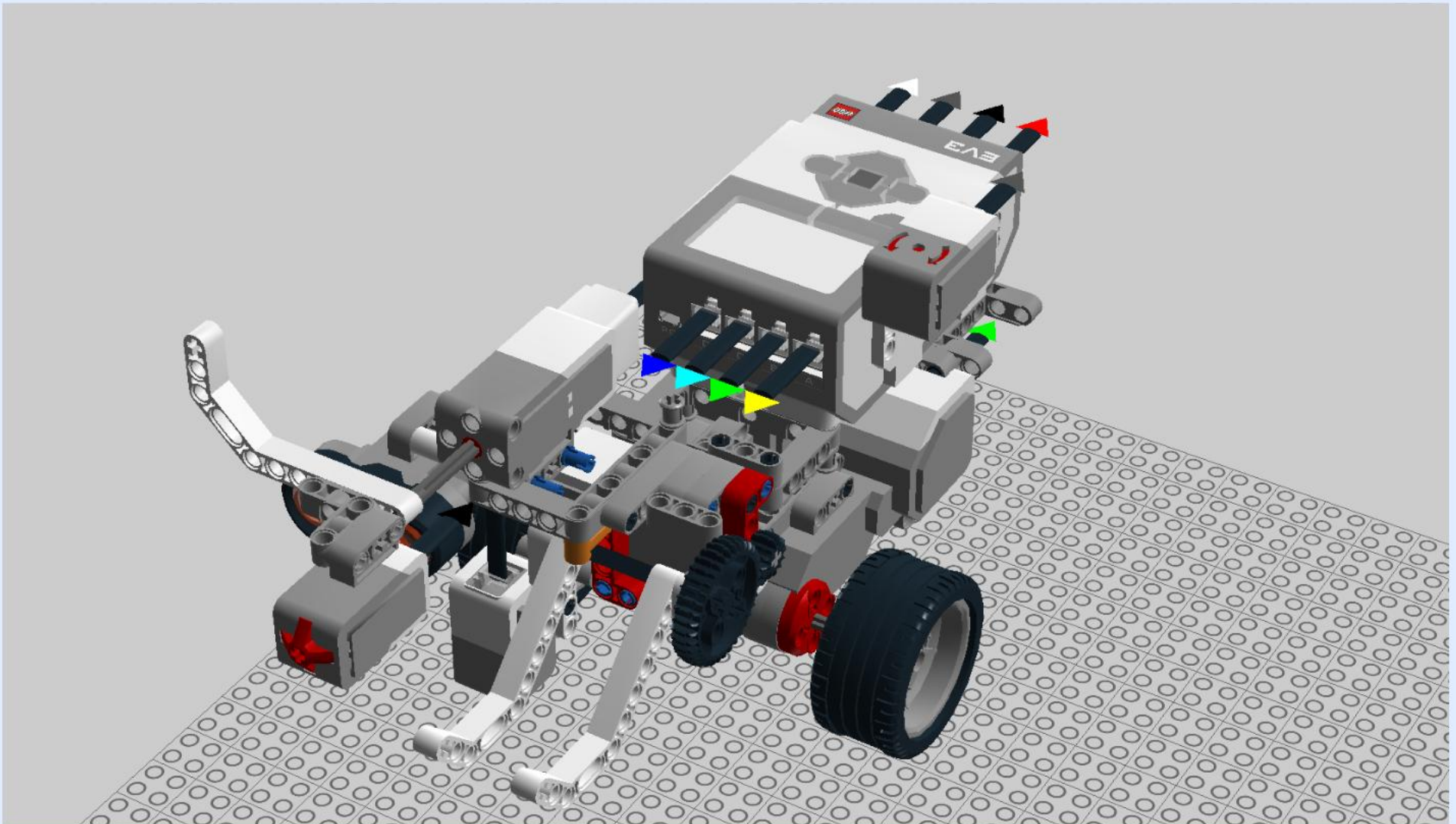


Ports list:

Gyro sensor goes to 1
Touch sensor goes to 2
Color Sensor goes to 3
Ultrasonic sensor goes to 4

Top med motor goes to D
Bottom med motor goes to A
Left Large motor goes to B
Right Large motor goes to C

Picture has color coding for the cables



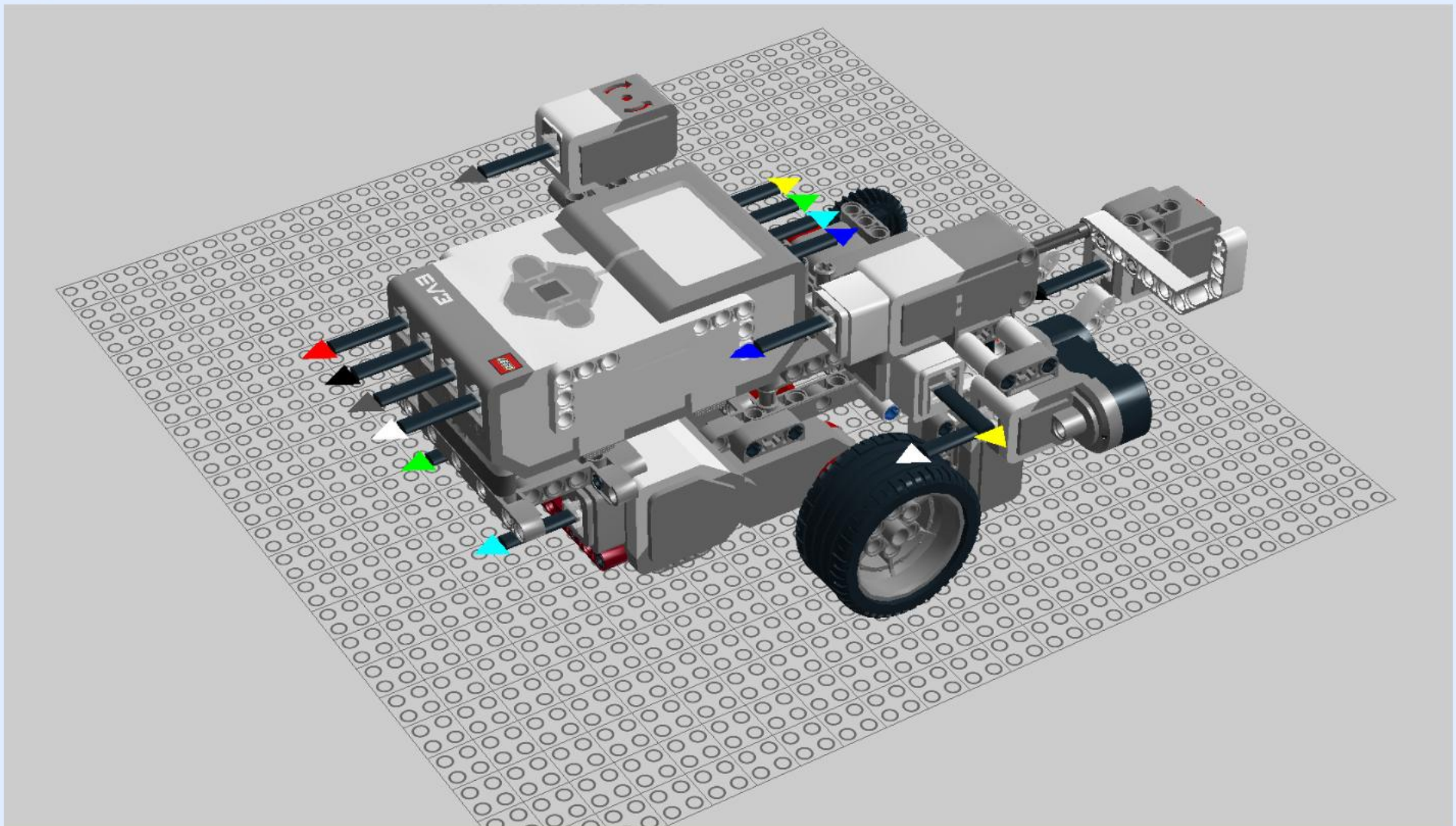


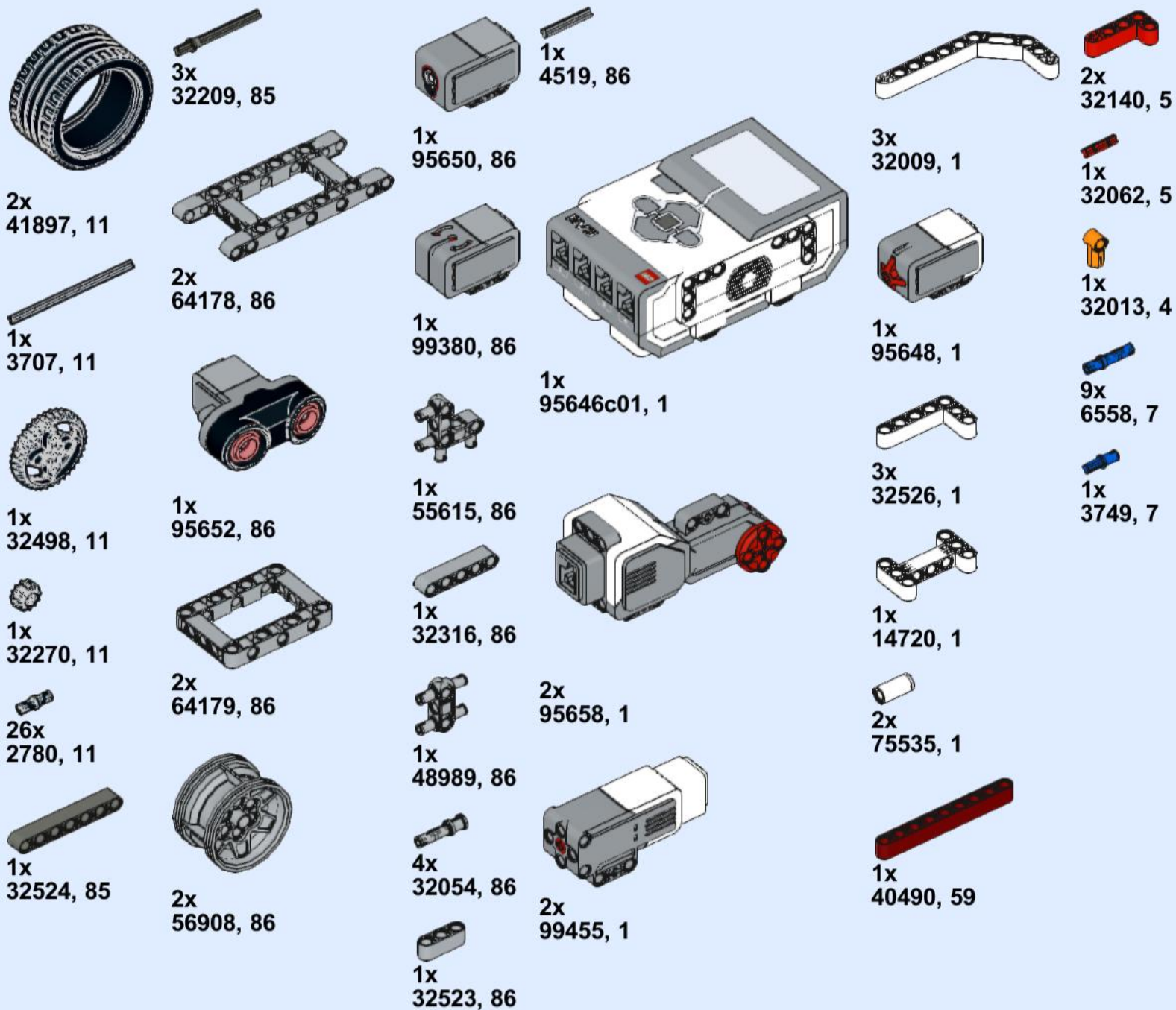
Ports list:

Gyro sensor goes to 1
Touch sensor goes to 2
Color Sensor goes to 3
Ultrasonic sensor goes to 4

Top med motor goes to D
Bottom med motor goes to A
Left Large motor goes to B
Right Large motor goes to C

Picture has color coding for the cables





COLORS MAY VARY